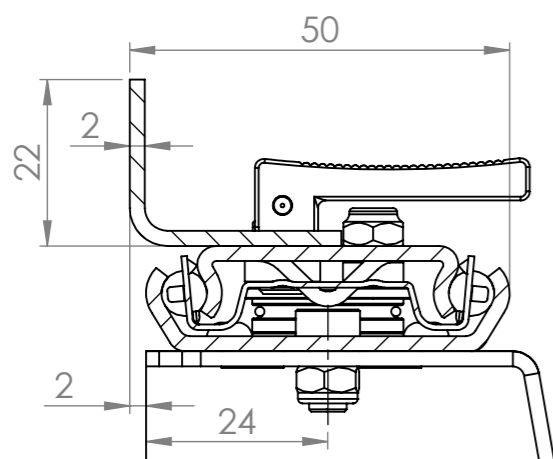
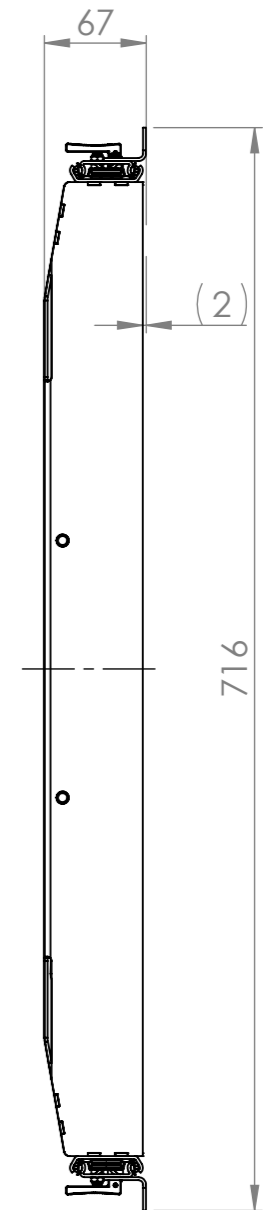
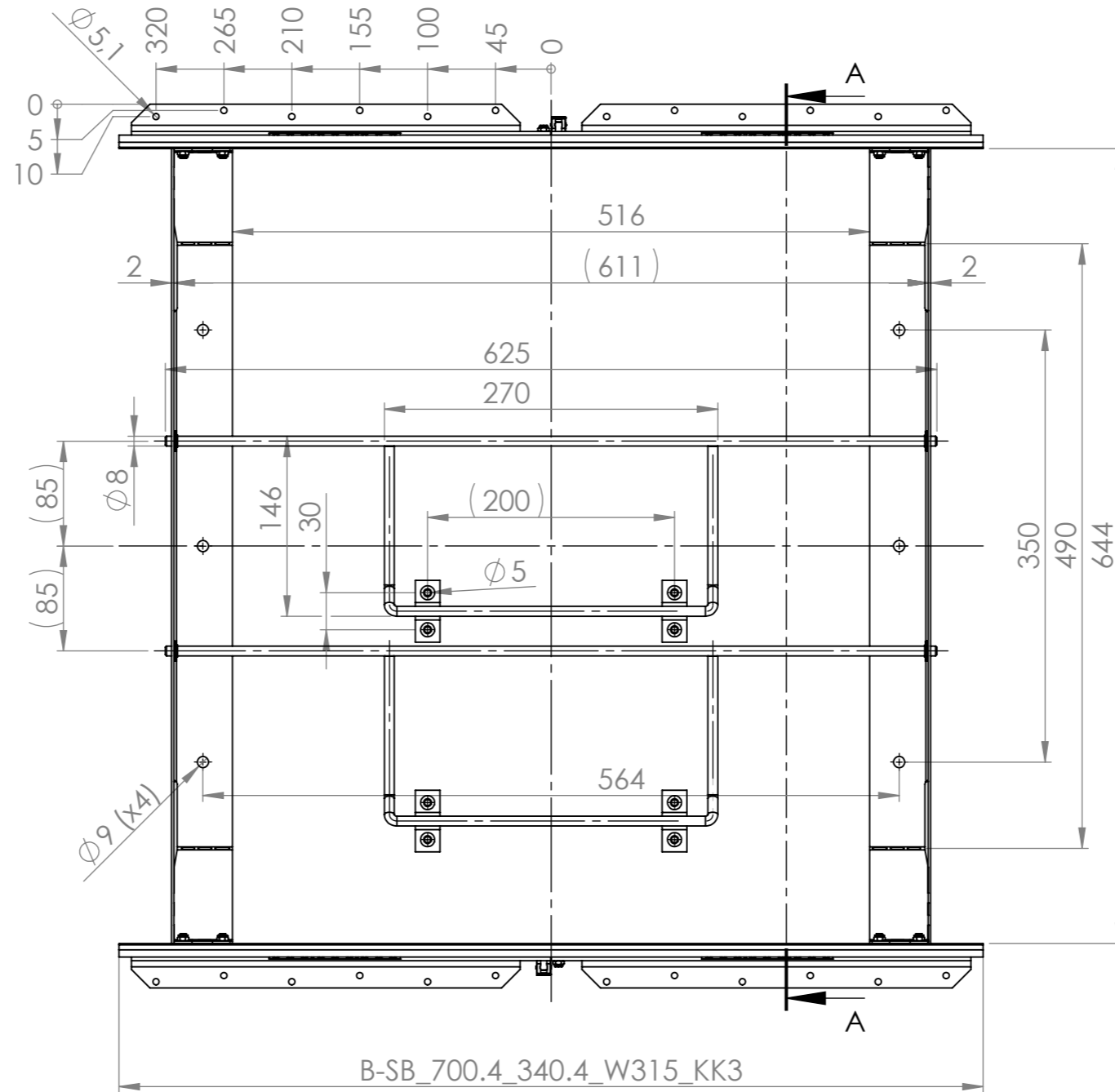
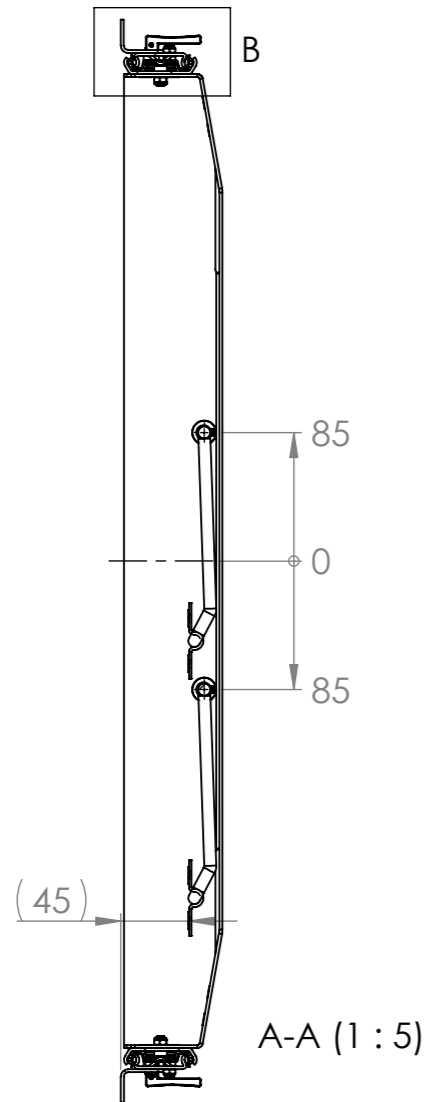
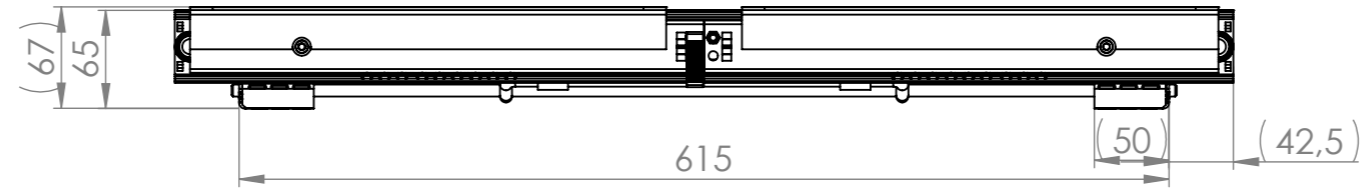


Pottker d.o.o. has the exclusive moral and property rights to this drawing, including right to protect the integrity of this work of authorship and right to commercial exploitation.



B (1 : 1)

Opening: ca 466 mm

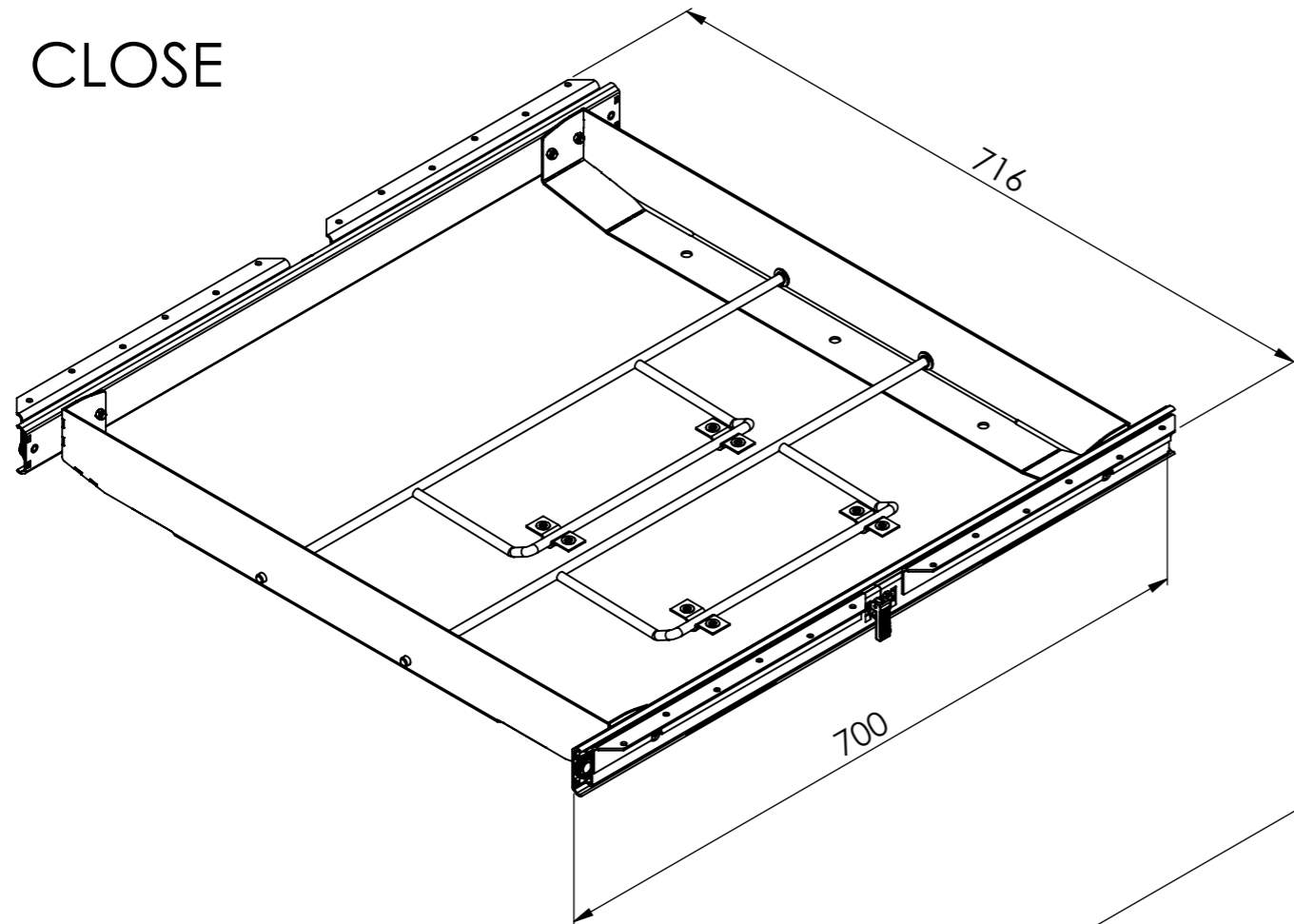
B-SB\_700.4\_340.4\_W315\_KK3

<b>PÖTTKER</b>		Product/Proizvod: FR_B-SB_2FM_700x716x67	
Transforming furniture		Material/Materijal: Steel	Weight/Težina:
Drawn by/Crtao: Ocsenas Janos	Date/Datum: 18.11.2022.	Company/Firma: POTTKER DOO	
Draw accepted by:	Crtez prihvatio:	Changes/Izmene:	Date/Datum
Stamp/Signature:	Pečat/Potpis:		Verified/Verifikovan
Pottker d.o.o. Item no./Br. artikla: 10011338		Ordering item no./Br.artikla kod narucioca:	
		Page/Strana: SHEET 1 OF 4	

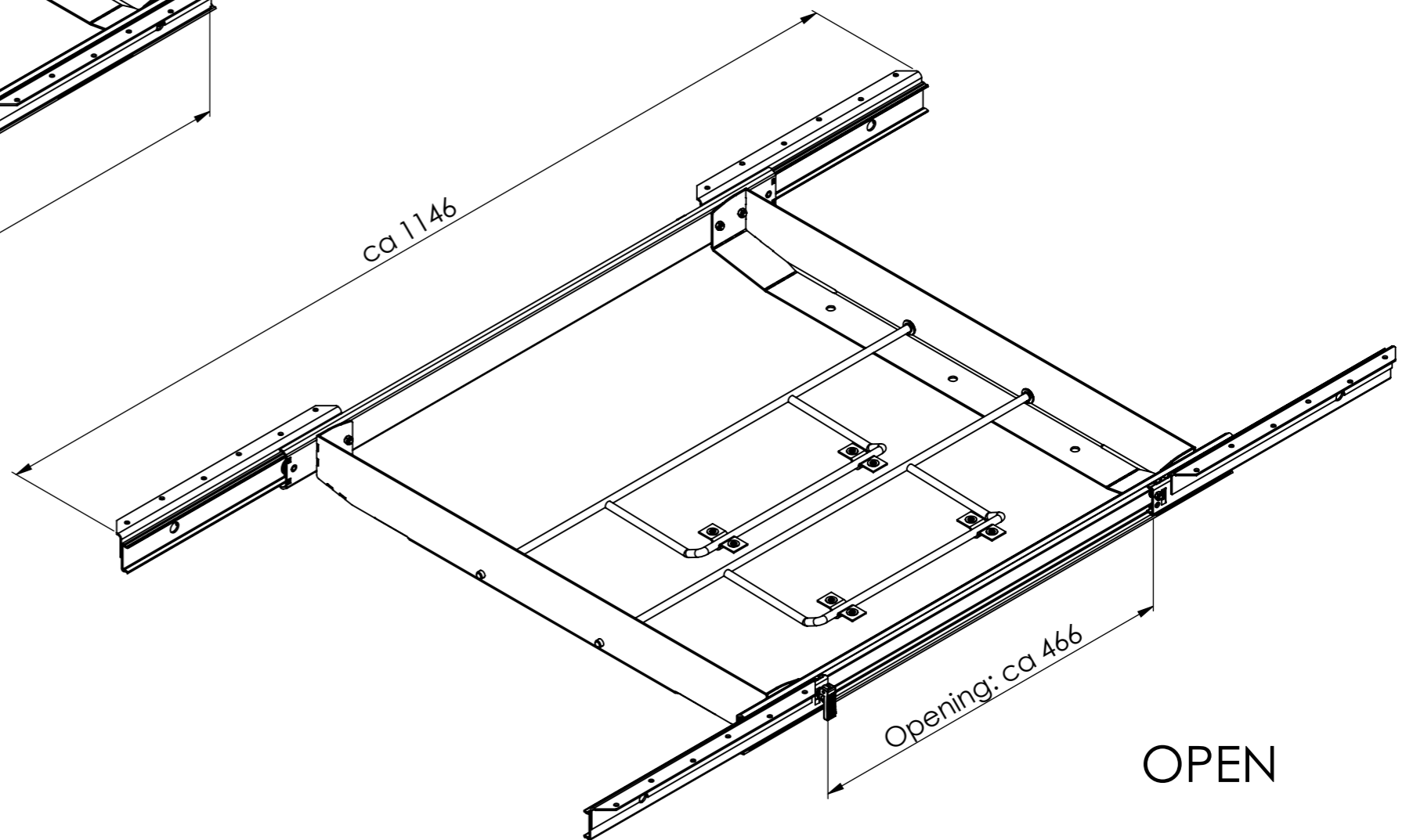
Pottker d.o.o. ima isključiva moralna i imovinska prava na ovom tehničkom crtežu, uključujući pravo na zaštitu integriteta ovog autorskog dela i pravo na njegovo ekonomsko iskorišćavanje.

Pottker d.o.o. has the exclusive moral and property rights to this drawing, including right to protect the integrity of this work of authorship and right to commercial exploitation.

CLOSE



OPEN



<b>PÖTTKER</b>		Product/Proizvod: FR_B-SB_2FM_700x716x67	
Transforming furniture		Material/Materijal: Steel	Weight/Težina:
Drawn by/Crtao: Ocsenas Janos	Date/Datum: 18.11.2022.	Company/Firma: POTTKER DOO	
Draw accepted by:		Changes/Izmene	Date/Datum
Crtez prihvatio:			Verified/Verifikovan
Stamp/Signature:			
Pečat/Potpis:			
Pottker d.o.o. Item no./Br. artikla: 10011338		Ordering item no./Br.artikla kod narucioca:	
		Page/Strana: SHEET 2 OF 4	

Pottker d.o.o. ima isključiva moralna i imovinska prava na ovom tehničkom crtežu, uključujući pravo na zaštitu integriteta ovog autorskog dela i pravo na njegovo ekonomsko iskorišćavanje.