



XS Systembeschlag

Das extra-starke $\varnothing 15$ mm Verbindungssystem für hochbelastbare Konstruktionsverbindungen, einsetzbar für Plattenstärken von 20-30 mm

XS Connecting system

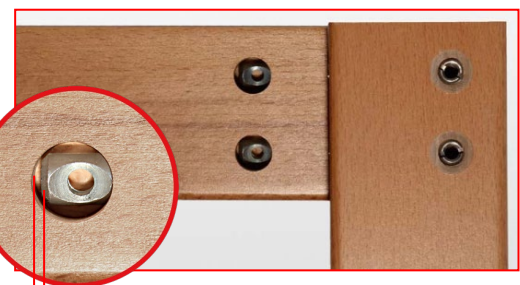
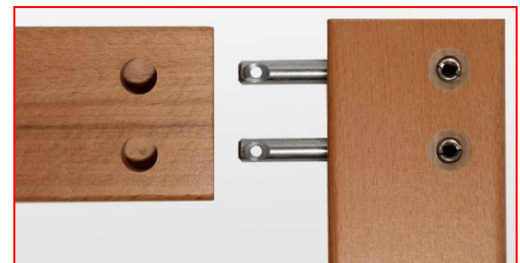
The extra strong $\varnothing 15$ mm connecting system for heavy duty constructions, suitable for board thickness of 20-30 mm

Beschreibung

- Hoher Kraftschluss, dauerhaft
- Anzugsweg ca. 4,5 mm
- Vibrationsfest!
- Komplett aus Stahl gefertigt, hohe Verarbeitungssicherheit
- Oberfläche verzinkt
- Kein seitliches Plattenverschieben
- Leichte Montage für den Endverbraucher
- Made in Germany

Specification

- High strength tightening forces, permanent
- Tightening distance approx. 4.5 mm
- Vibration resistant!
- Completely made of steel, high processing safety
- Surface zinc plated
- No panel-shift
- Easy to mount
- Made in Germany



> < Optimale Position / Ideal mounting position



XS Eckverbinder

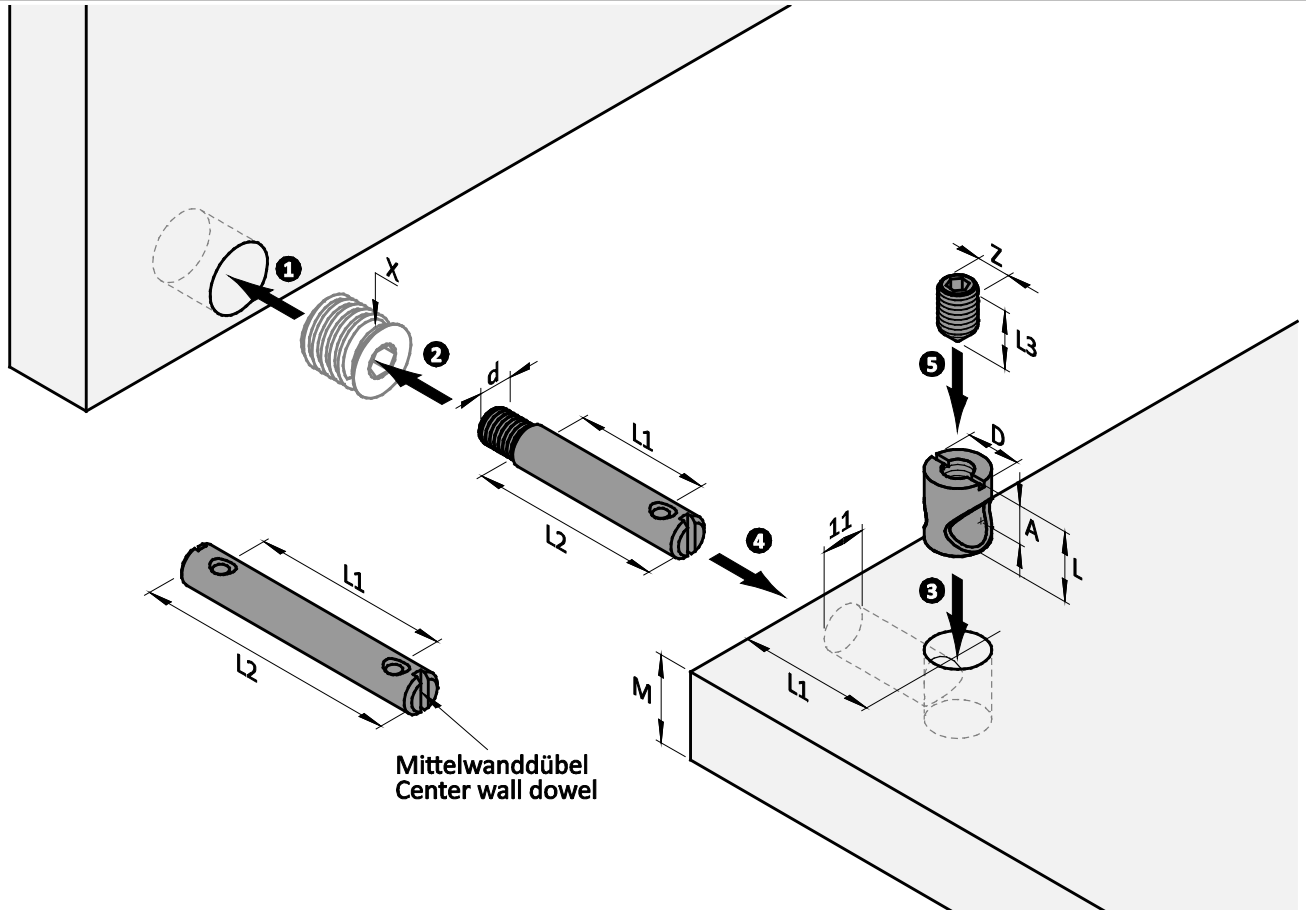
Bestehend aus:

- XS Gehäuse ø15 mm
- XS Gewindestift M10, ISK (Innensechskant)
- XS Stahldübel ø10 mm
- Gewindemuffe M6, M8

XS Corner Connector

Consisting of:

- XS Housing ø15 mm
- XS Grub Screw M10, ISK (hexagon)
- XS Steel Dowel ø10 mm
- Insert M6, M8



| Gehäuse / Housing ø15 mm | | | | | |
|--------------------------|---------------|----|------|----|----------|
| Artikel-Nr. order-no. | Material M | L | A | D | VE PU |
| D01035 | 20 | 17 | 10,0 | 15 | 100 |
| D01002 | 22 | 19 | 12,0 | 15 | 100 |
| D01003 | 24-28 | 21 | 14,0 | 15 | 100 |
| D01004 | 30 | 28 | 13,0 | 15 | 100 |

| Gew.-Stift / Grub Screw M10 | | | |
|-----------------------------|------|-----|----------|
| Artikel-Nr. order-no. | L3 | Z | VE PU |
| D01036 | 10,0 | SW5 | 100 |
| D01005 | 12,0 | SW5 | 100 |
| D01005 | 12,0 | SW5 | 100 |
| D01005 | 12,0 | SW5 | 100 |

| Stahldübel / Steel Dowel ø10 mm | | | | |
|---------------------------------|----|------|------------|----------|
| Artikel-Nr. order-no. | L1 | L2 | d | VE PU |
| D01013 | 20 | 27,5 | M6x11 | 100 |
| D01006 | 30 | 37,5 | M6x11 | 100 |
| D01007 | 30 | 37,5 | M8x11 | 100 |
| D01008 | 33 | 40,0 | EURO ø6x18 | 100 |
| D01014 | 85 | 92,0 | M8x11 | 100 |
| D01015 | 60 | 71,5 | M8x11 | 100 |
| D01010 | 64 | 82 | Mittelwand | 50 |
| D01011 | 60 | 75 | Mittelwand | 50 |

Hinweis / Please note

Beispiel-Kombination: / Example of combination: D01002 + D01005 + D01008

→: Gehäuse mit diesem Gewindestift kombinieren / →: Combine Housing with this Grub Screw

X: Passende Gewindemuffen auf S. 52/ X: Matching Inserts on page 52

M: Materialstärke; Alle Abmessungen in mm / M: Board thickness; All dimensions in mm

EURO-Direkt-Gewinde für Bohrung ø5 mm / EURO-thread for ø5 mm hole