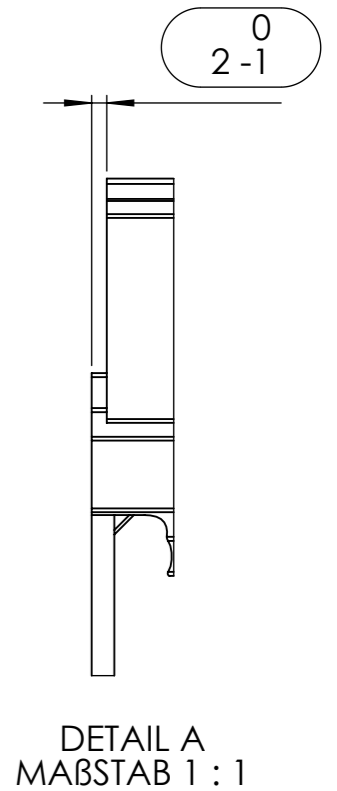
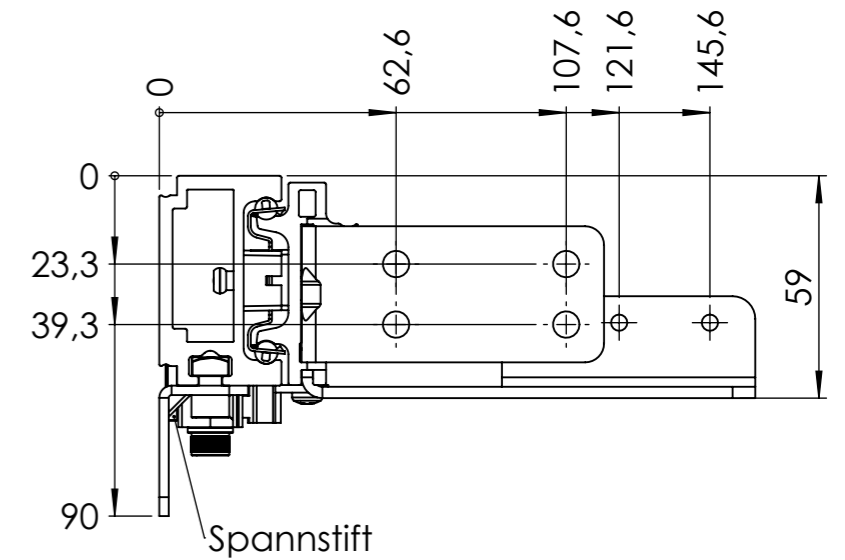
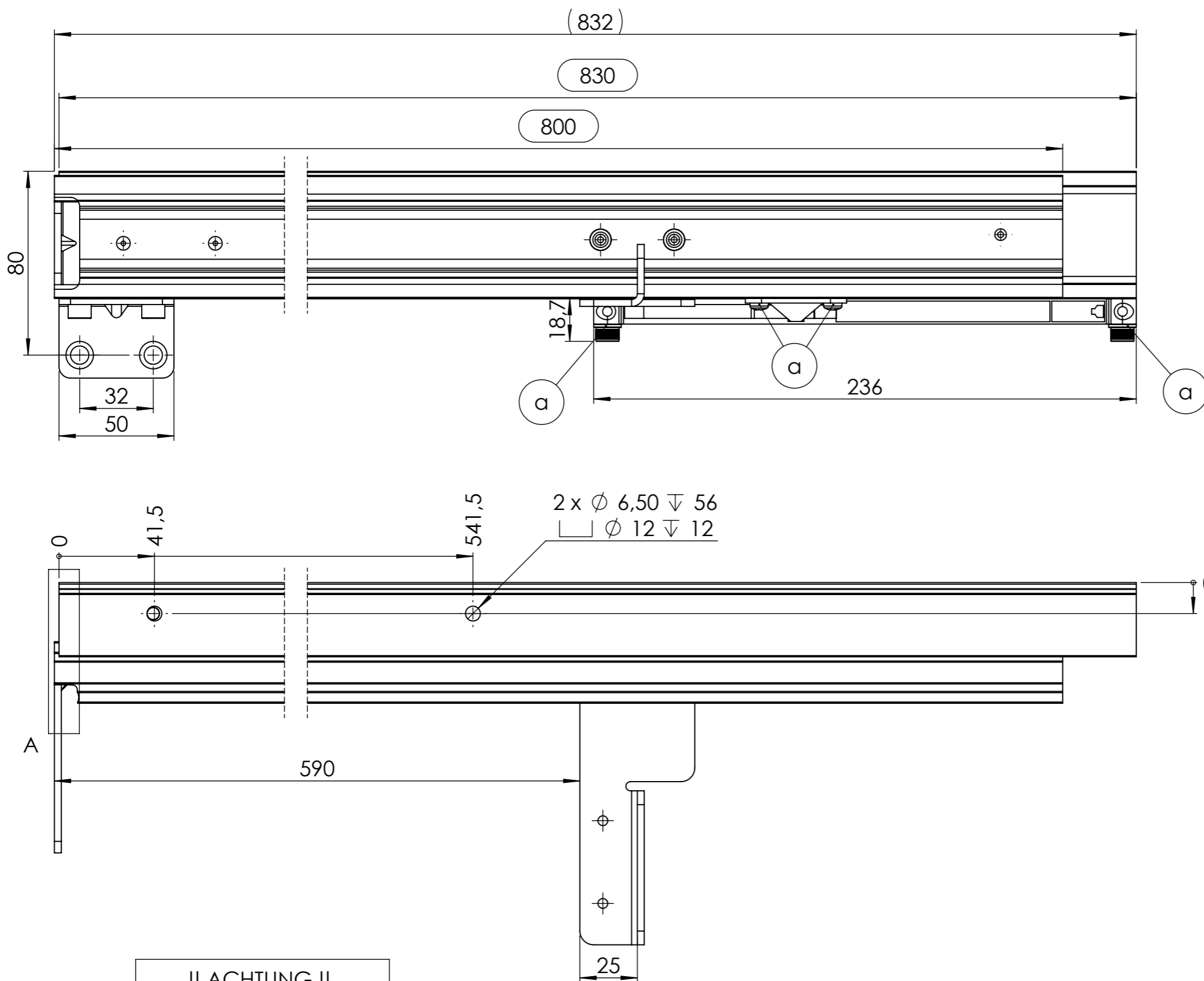


All property rights and rights to exploitation of copyright for this drawing data remain ours; they may not be made available to third parties without our consent.



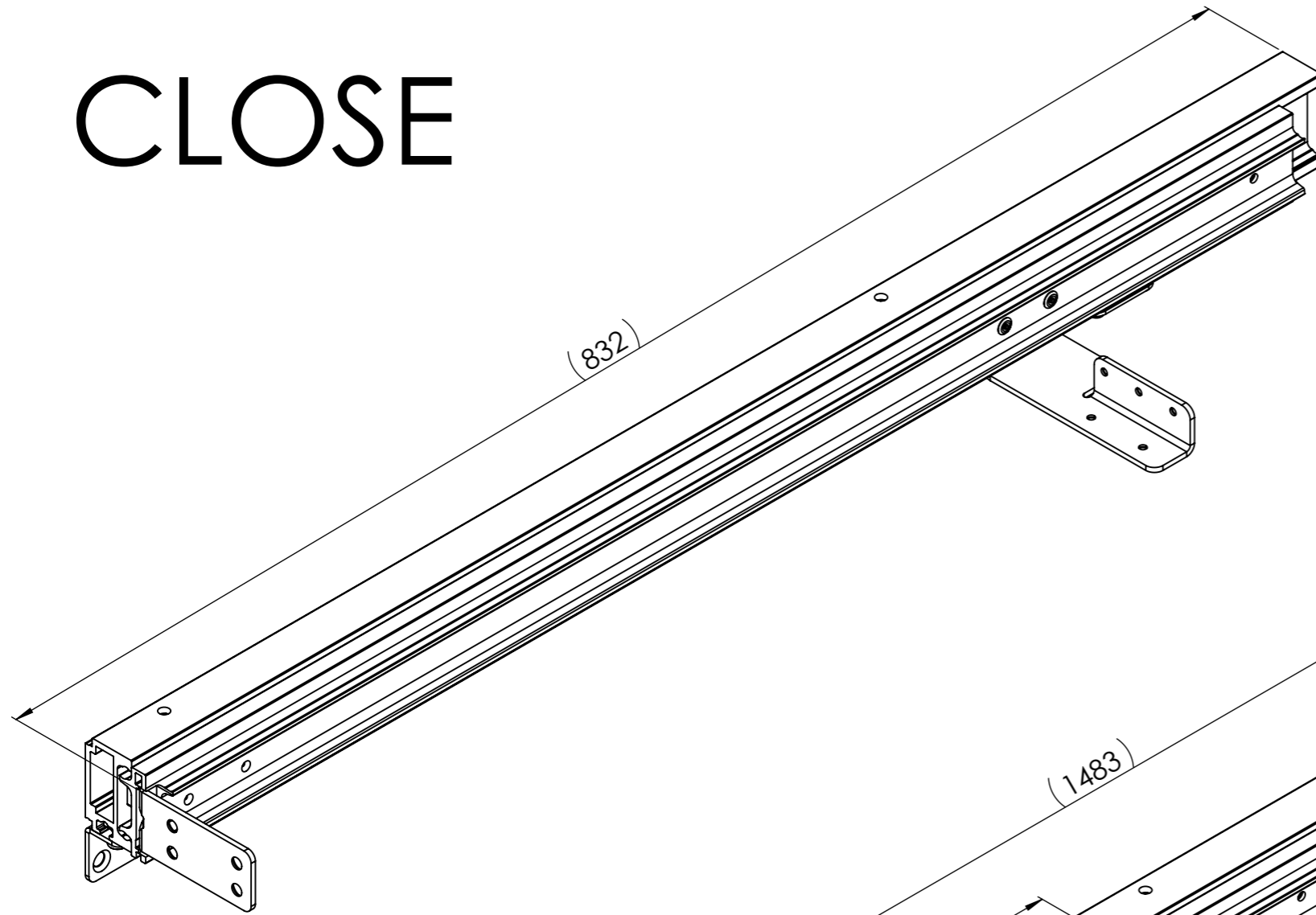
!! ACHTUNG !!
BEIPACK-INFORMATION
BEACHTEN

Pos.11	15776
Pos.13	15751
Pos.10	15777

way of travel : ca. **653**mm

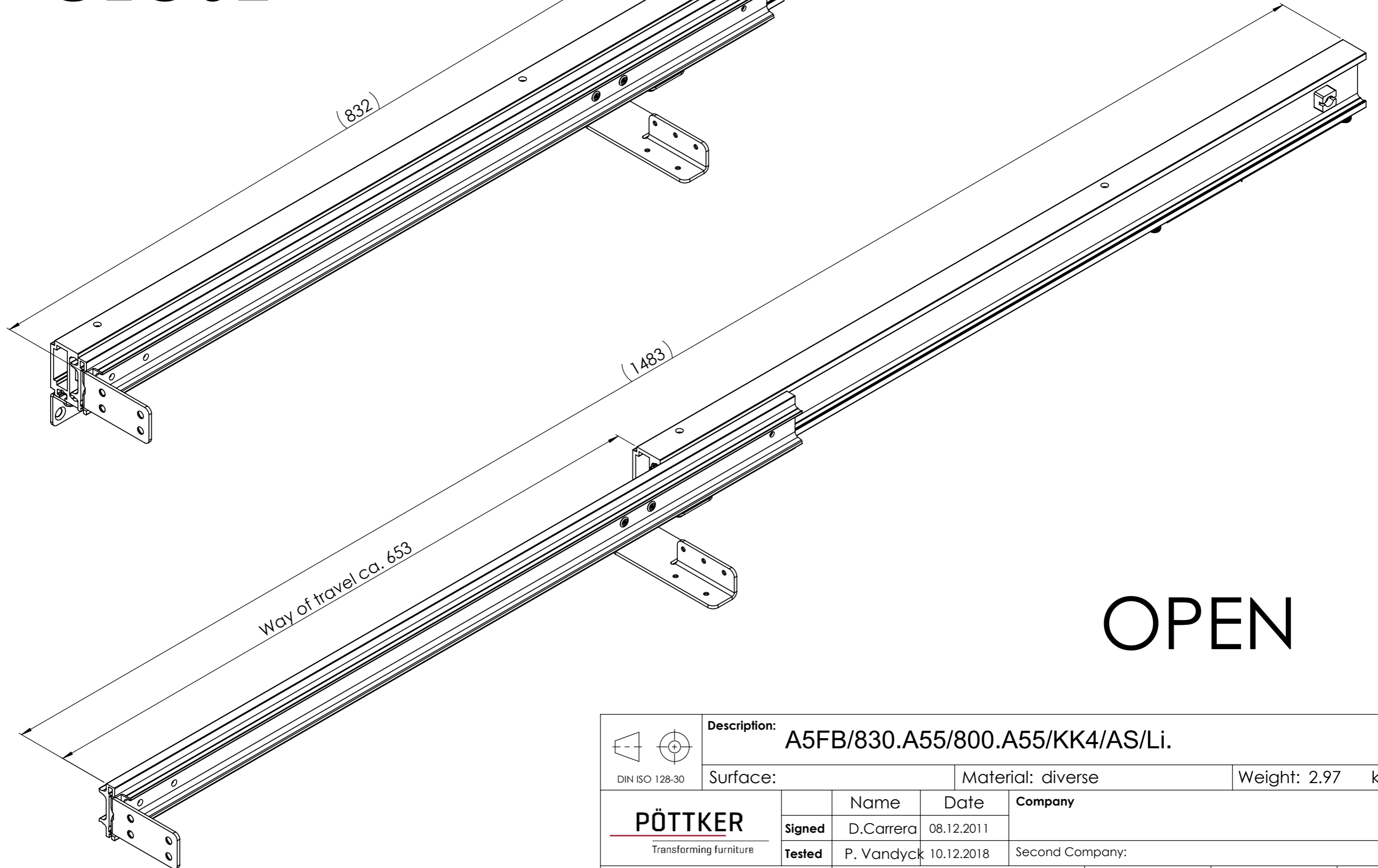
a	ALT:(15778)u.(15182)NEU:(15499)u.(16142)+ U-Scheibe (15002)		06.12.2018	PVD
Index	Change			Date
 DIN ISO 128-30	Description: A5FB/830.A55/800.A55/KK4/AS/Li.			
	Surface:		Material: diverse	
		Weight: 2.97		kg
 Transforming furniture	Name	Date	Company	
	Signed	D.Carrera	08.12.2011	
	Tested	P. Vandyck	10.12.2018	Second Company:
General tolerance: DIN ISO 2768 - m		Item No: 55083602	Scale 1:2	Page 1/8
				A3

CLOSE



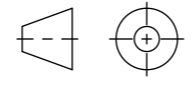
(832)

OPEN



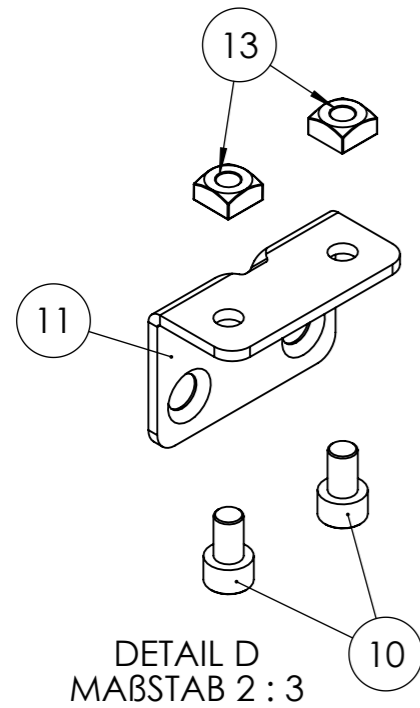
(1483)

Way of travel ca. 653

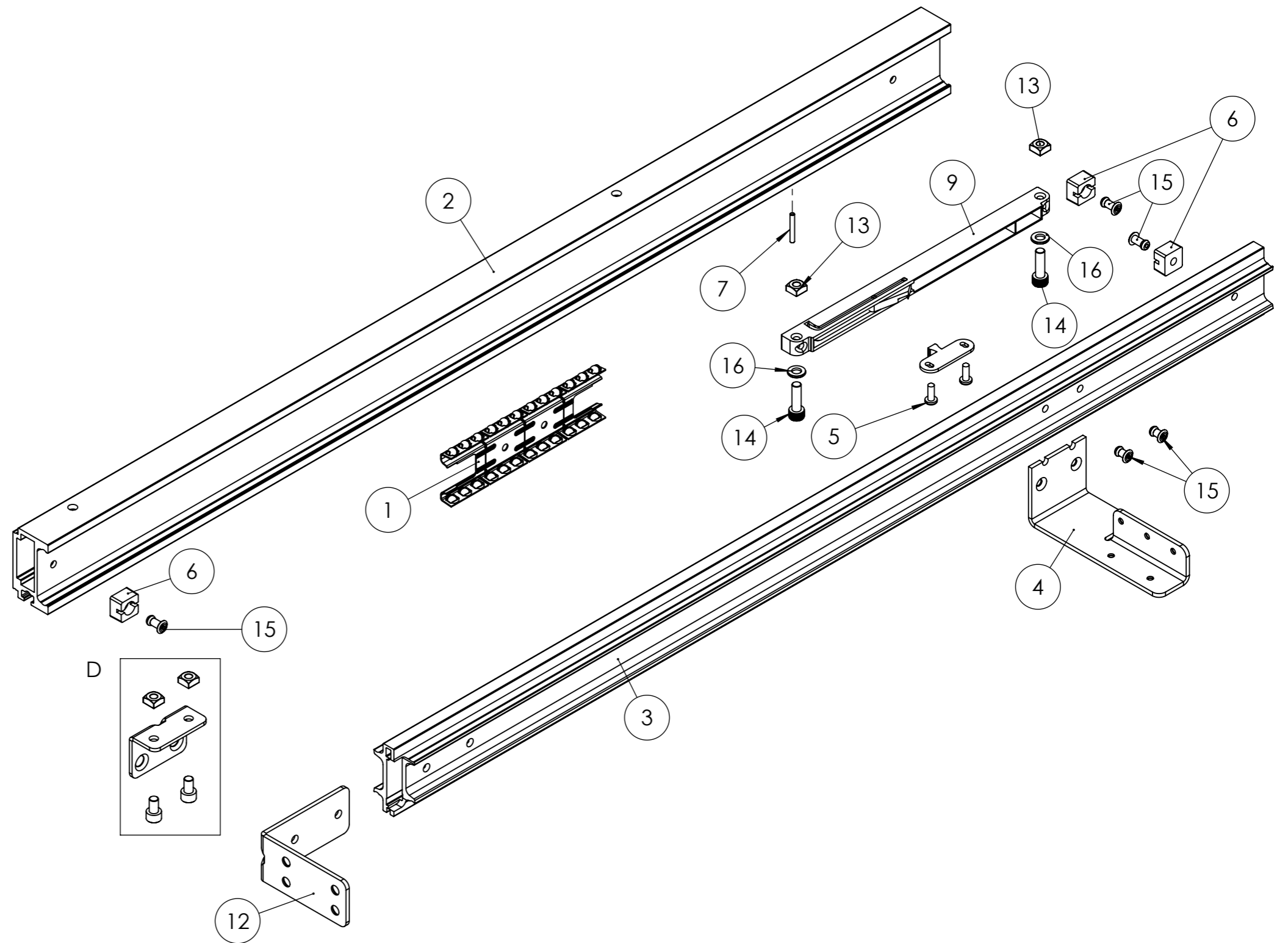
 DIN ISO 128-30	Description: A5FB/830.A55/800.A55/KK4/AS/Li.				
	Surface:		Material: diverse		Weight: 2.97 kg
PÖTTKER Transforming furniture	Signed	Name D.Carrera	Date 08.12.2011	Company	
	Tested	P. Vandyck	10.12.2018	Second Company:	
General tolerance: DIN ISO 2768 - m		Item No:	55083602	Scale 1:3	Page 2/8

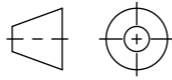

All property rights and rights to exploitation of copyright for this drawing data remain ours; they may not be made available to third parties without our consent.

!! ACHTUNG !!
LOSE MITLIEFERN



(2x) pro Paar	15776
(4x) pro Paar	15777
(4x) pro Paar	15751

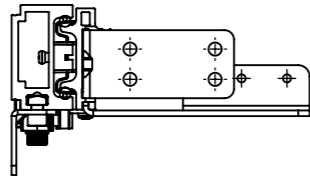


Index	Change			Date	Name
 DIN ISO 128-30	Description: A5FB/830.A55/800.A55/KK4/AS/Li.				
	Surface:		Material: diverse		Weight: 2.97 kg
 Transforming furniture	Name	Date	Company		
	Signed	D.Carrera	08.12.2011		
	Tested	P. Vandyck	10.12.2018	Second Company:	
General tolerance: DIN ISO 2768 - m		Item No:	55083602	Scale 1:3	Page 3/8
					A3

All property rights and rights to exploitation of copyright for this drawing data remain ours; they may not be made available to third parties without our consent.

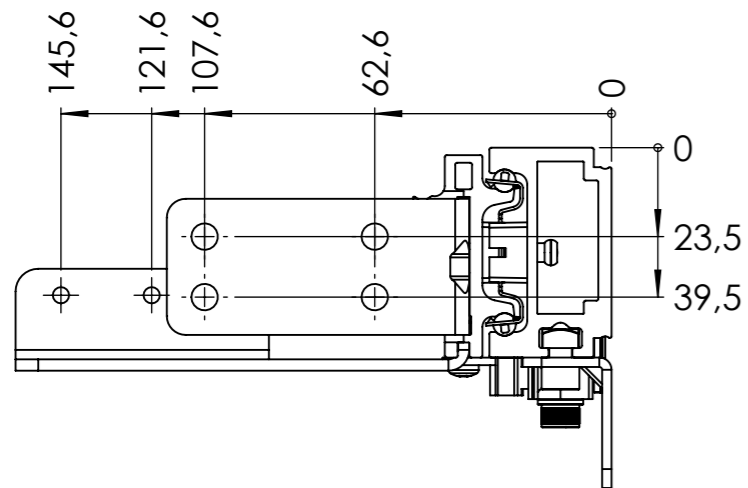
All property rights and rights to exploitation of copyright for this drawing data remain ours; they may not be made available to third parties without our consent.

POS.	Item.No	Artikelbezeichnung	MENGE
1	56990125	KK47/4/AS/Al-Al (55er)	1
2	56083401	AP/A5FB/830.A55/li.	1
3	56080603	MPA/A5FB/800.A55/li.	1
4	22120904	Traverswinkel/50x3x120x46/V2/li./vz/S	1
5	16142	Bohrschraube+Linsenkopf, Ø3,9x13-DIN 7504M/Torx-vz	2
6	16053	Würfelstopp, 16x10x16/PA6.6-Plustek	3
7	15857	Spannstift/Ø3x22/ISO8752/C67	1
8	15780	Aktivator SP14 für Slidix II Selbsteinzug	1
9	15779	Selbsteinzug, Slidix II - 40Kg, 13N-Feder	1
10	15777	Zyl.-Schraube+Inbus, M6x10-DIN 912-vz	2
11	15776	Winkel zur Fußbefestigung/50x34,5x23,5x2,5	1
12	15775	Winkel zur Frontbefestigung/80x3x36x80	1
13	15751	Vierkantmutter, M6-DIN 557-vz	4
14	15499	Zyl.-Schraube+Inbus, M6x20-DIN 912-vz-gerändelt	2
15	15122	Blindniet Flachrundkopf, Ø5x12-AL/St.(6,0-8,0)	5
16	15002	U-Scheibe/Ø12xØ6,5x1,5-DIN 125-vz	2

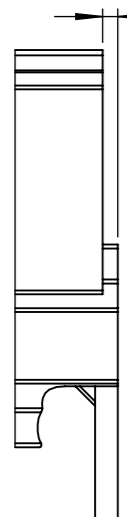


Index	Change		Date	Name	
 DIN ISO 128-30	Description: A5FB/830.A55/800.A55/KK4/AS/Li.		Weight: 2.97 kg		
	Surface:				Material: diverse
 Transforming furniture	Signed	D.Carrera	08.12.2011	Company	
	Tested	P. Vandyck	10.12.2018		Second Company:
General tolerance: DIN ISO 2768 - m		Item No: 55083602	Scale 1:4	Page 4/8	A3

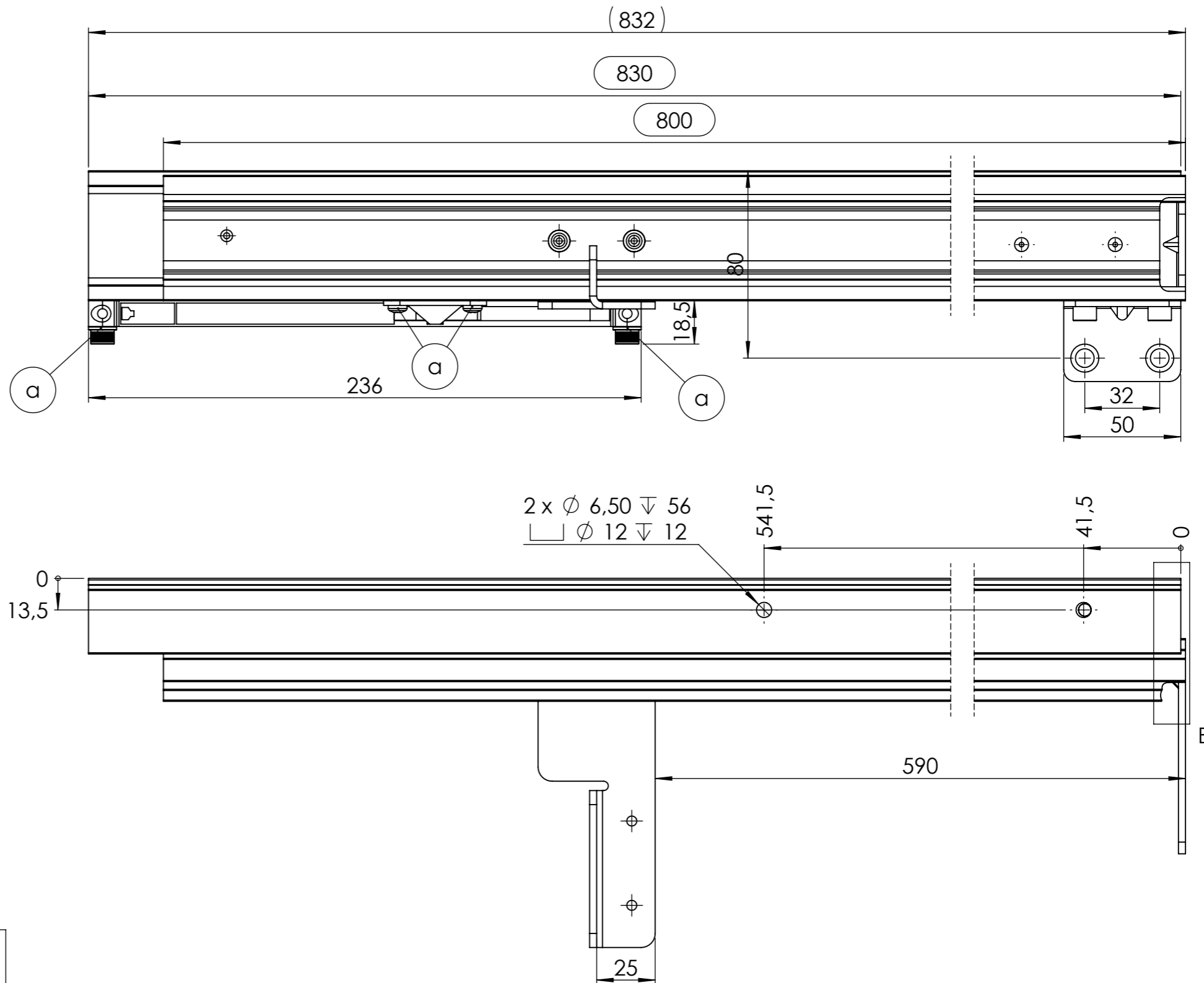
All property rights and rights to exploitation of copyright for this drawing data remain ours; they may not be made available to third parties without our consent.



0
2-1



DETAIL B
MAßSTAB 1 : 1

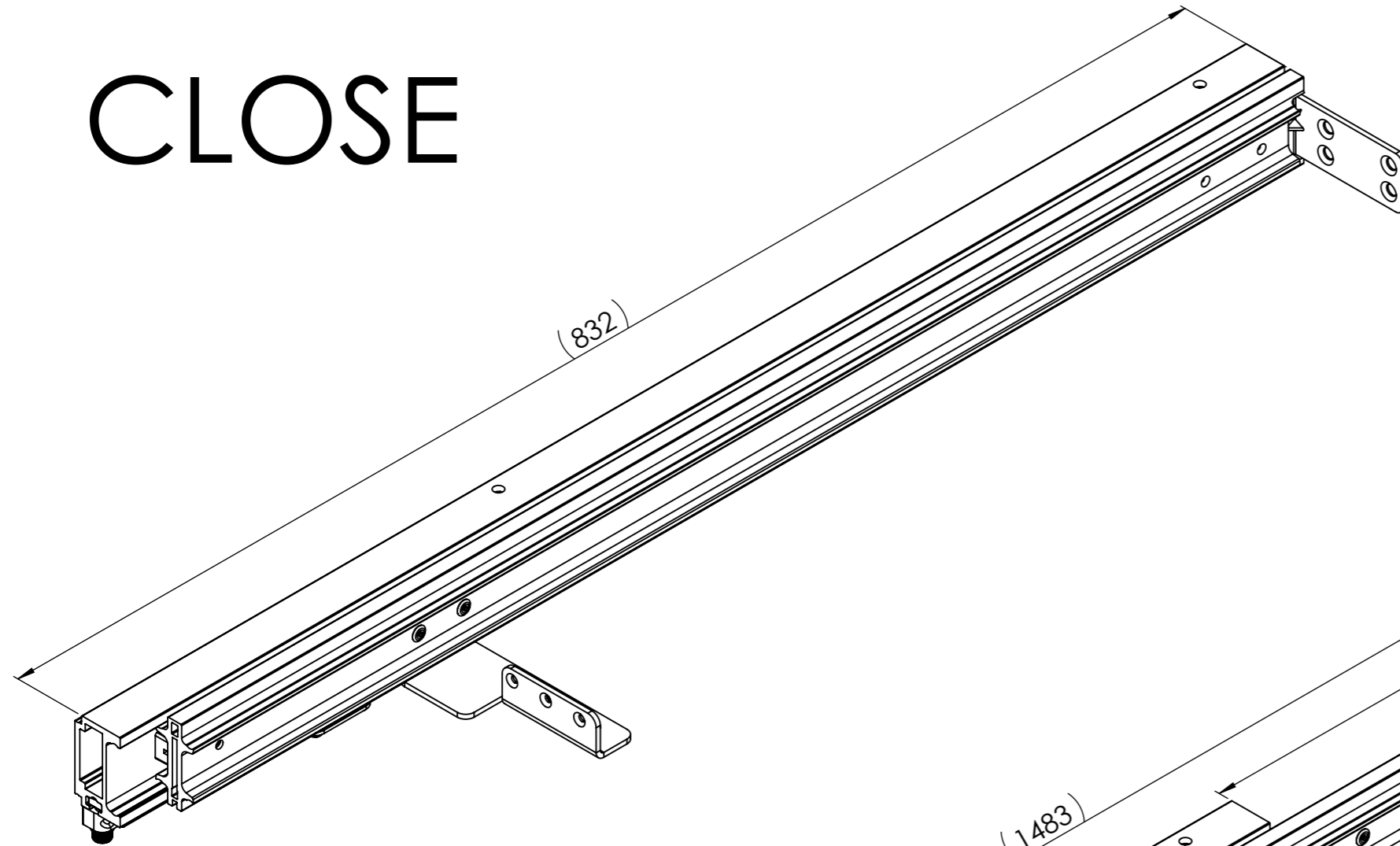


!! ACHTUNG !! BEIPACK-INFORMATION BEACHTEN	
Pos.11	15776
Pos.13	15751
Pos.10	15777

way of travel : ca. **653** mm

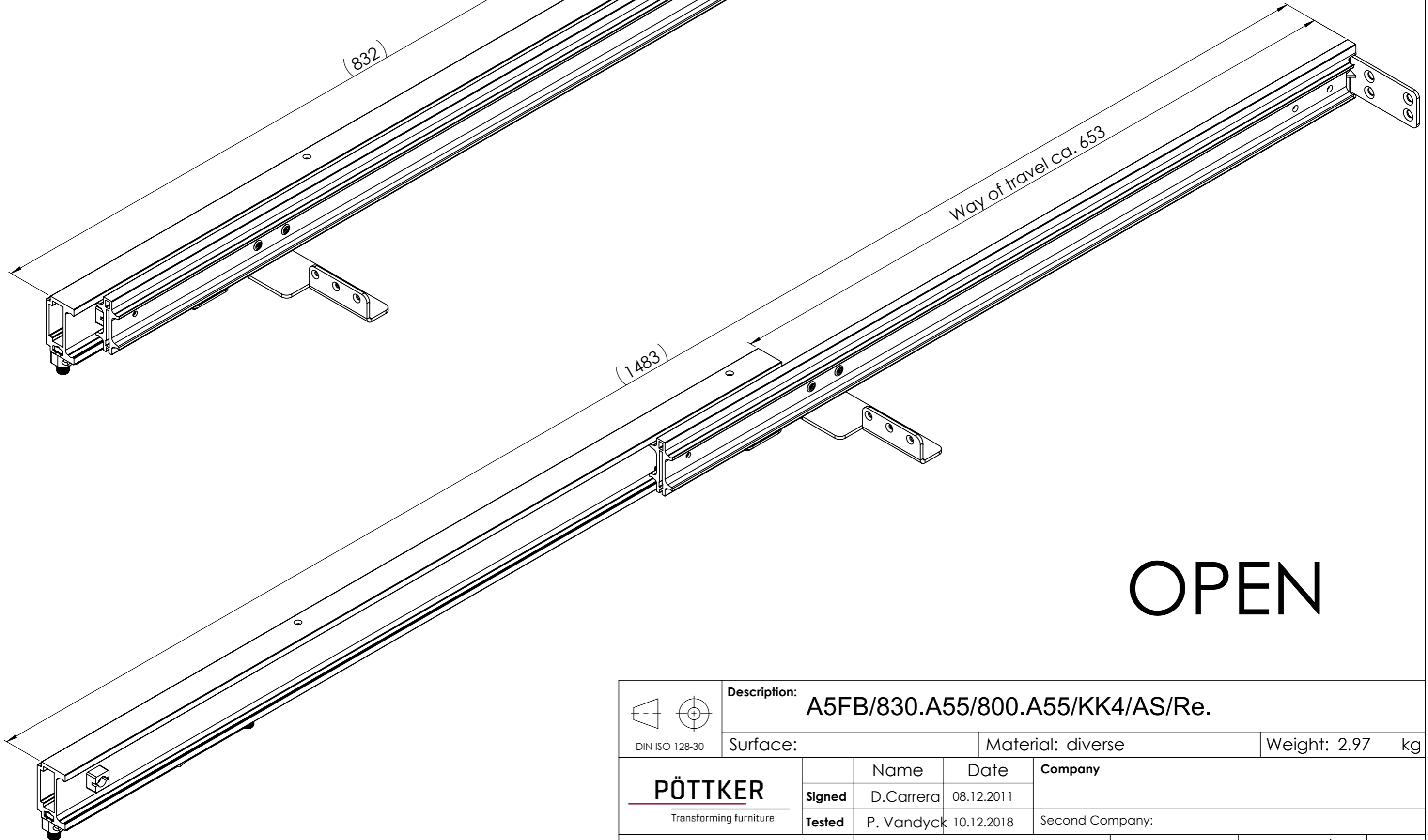
α	ALT:(15778)u.(15182)NEU:(15499)u.(16142)+ U-Scheibe (15002)		06.12.2018	PVD
Index	Change		Date	Name
	Description: A5FB/830.A55/800.A55/KK4/AS/Re.			
DIN ISO 128-30	Surface:	Material: diverse	Weight: 2.97 kg	
PÖTTKER Transforming furniture	Name	Date	Company	
	Signed	D.Carrera	08.12.2011	
	Tested	P. Vandyck	10.12.2018	Second Company:
General tolerance: DIN ISO 2768 - m		Item No: 55083602	Scale 1:2	Page 5/8

CLOSE



832

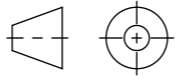

OPEN



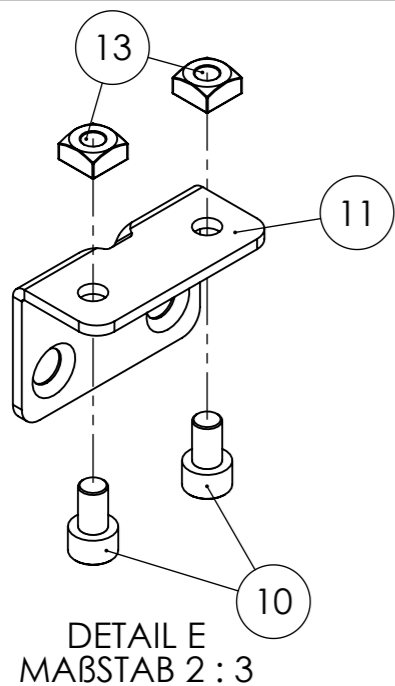
1483

Way of travel ca. 653

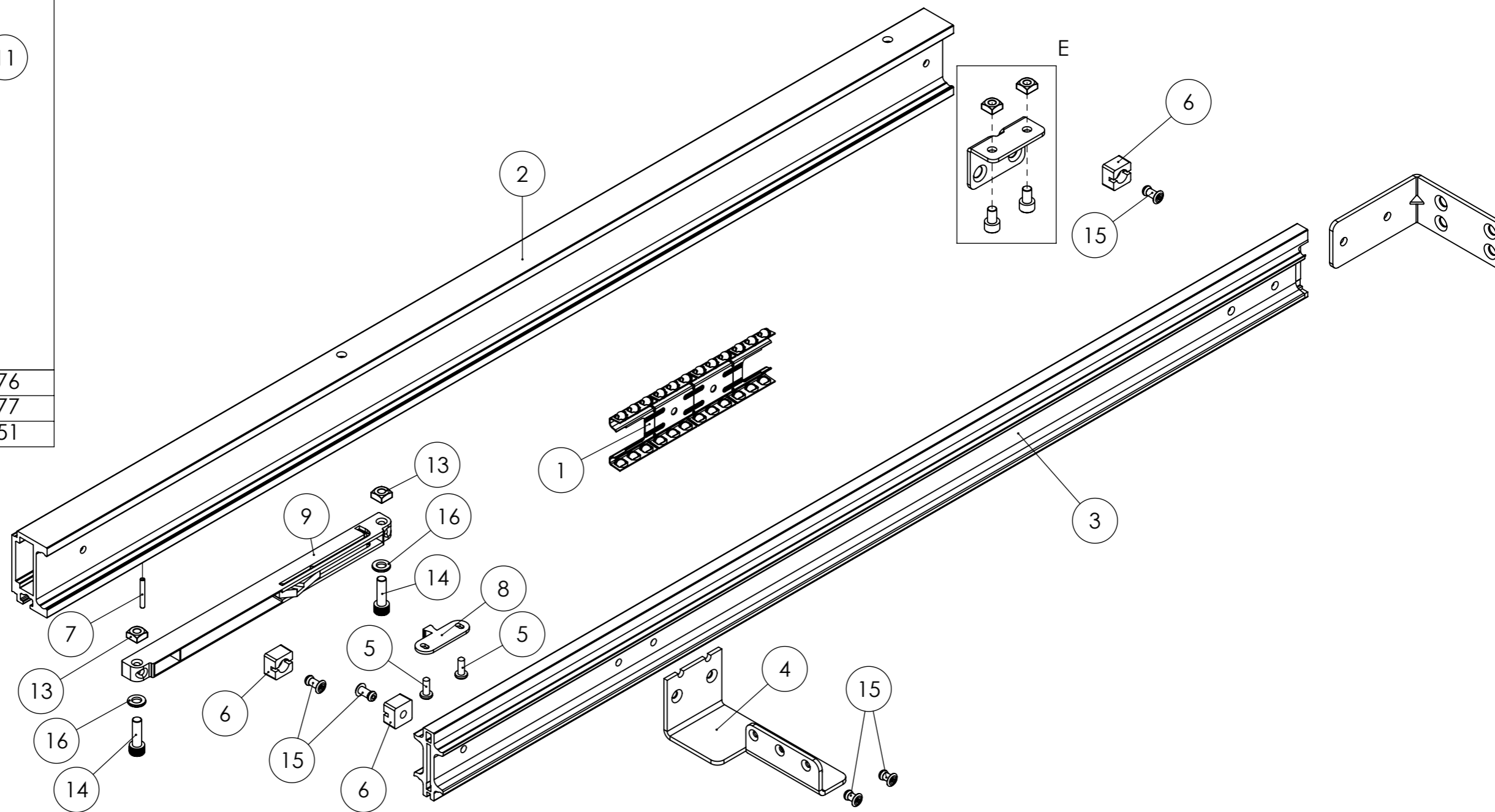
All property rights and rights to exploitation of copyright for this drawing data remain ours; they may not be made available to third parties without our consent.

 DIN ISO 128-30	Description: A5FB/830.A55/800.A55/KK4/AS/Re.					
	Surface:		Material: diverse	Weight: 2.97 kg		
 Transforming furniture	Name	Date	Company			
	Signed	D.Carrera	08.12.2011	Second Company:		
Tested	P. Vandyck	10.12.2018				
General tolerance: DIN ISO 2768 - m		Item No:	55083602	Scale 1:3	Page 6/8	A3

!! ACHTUNG !!
LOSE MITLIEFERN



(2x) pro Paar	15776
(4x) pro Paar	15777
(4x) pro Paar	15751

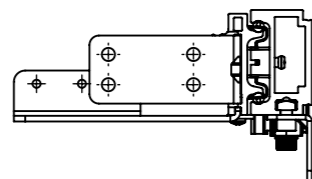


Index	Change	Date	Name
 DIN ISO 128-30	Description: A5FB/830.A55/800.A55/KK4/AS/Re.		
	Surface:	Material: diverse	Weight: 2.97 kg
PÖTTKER Transforming furniture	Name	Date	Company
	Signed	D.Carrera	08.12.2011
	Tested	P. Vandyck	10.12.2018
General tolerance: DIN ISO 2768 - m		Item No: 55083602	Scale 1:3
		Page 7/8	A3

All property rights and rights to exploitation of copyright for this drawing data remain ours; they may not be made available to third parties without our consent.

All property rights and rights to exploitation of copyright for this drawing data remain ours; they may not be made available to third parties without our consent.

POS.	Item.No	Artikelbezeichnung	Menge
1	56990125	KK47/4/AS/Al-Al (55er)	1
2	56083402	AP/A5FB/830.A55/re.	1
3	56080602	MPA-A5FB/800.A55/re.	1
4	22120903	Traverswinkel/50x3x120x46/V2/re./vz/S	1
5	16142	Bohrschraube+Linsenkopf, Ø3,9x13-DIN 7504M/Torx-vz	2
6	16053	Würfelstopp, 16x10x16/PA6.6-Plustek	3
7	15857	Spannstift/Ø3x22/ISO8752/C67	1
8	15780	Aktivator SP14 für Slidix II Selbsteinzug	1
9	15779	Selbsteinzug, Slidix II - 40Kg, 13N-Feder	1
10	15777	Zyl.-Schraube+Inbus, M6x10-DIN 912-vz	2
11	15776	Winkel zur Fußbefestigung/50x34,5x23,5x2,5	1
12	15775	Winkel zur Frontbefestigung/80x3x36x80	1
13	15751	Vierkantmutter, M6-DIN 557-vz	4
14	15499	Zyl.-Schraube+Inbus, M6x20-DIN 912-vz-gerändelt	2
15	15122	Blindniet Flachrundkopf, Ø5x12-AL/St.(6,0-8,0)	5
16	15002	U-Scheibe/Ø12xØ6,5x1,5-DIN 125-vz	2



Index	Change		Date	Name
 DIN ISO 128-30	Description: A5FB/830.A55/800.A55/KK4/AS/Re.			Weight: 2.97 kg
	Surface:		Material: diverse	
 Transforming furniture	Signed	Name: D.Carrera	Date: 08.12.2011	Company:
	Tested	Name: P. Vandyc	Date: 10.12.2018	
	General tolerance: DIN ISO 2768 - m		Item No: 55083602	Scale: 1:4