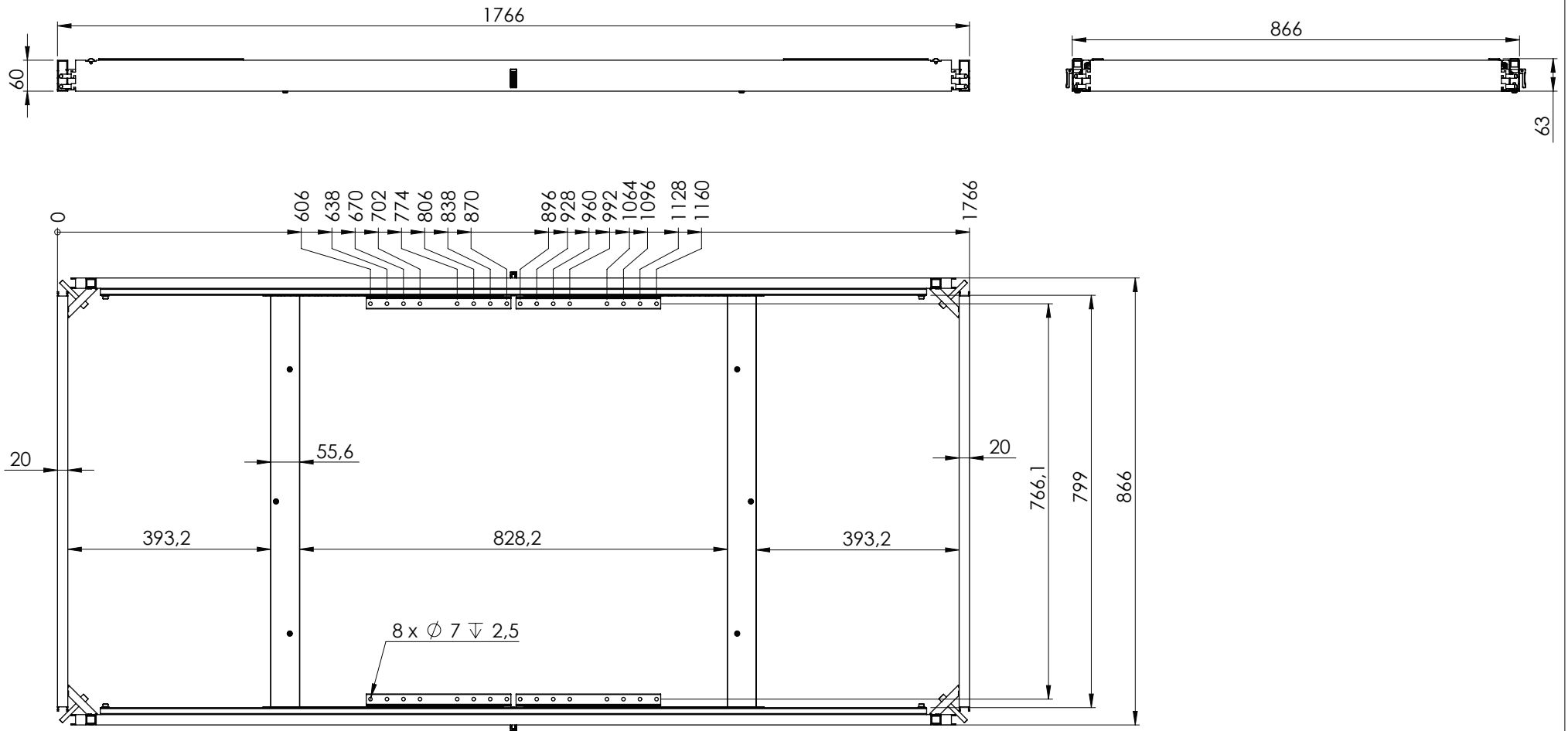

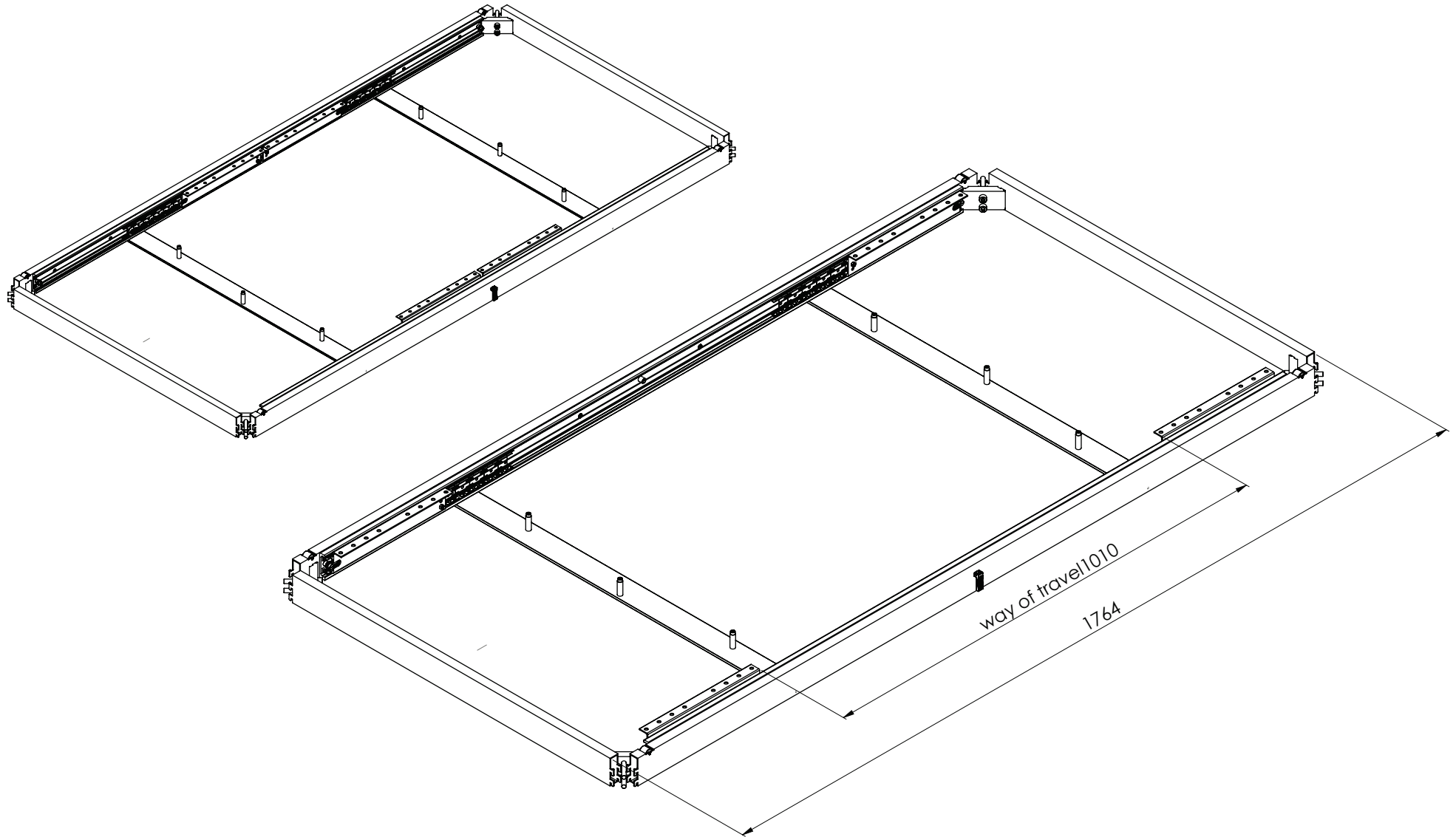



All property rights and rights to exploitation of copyright for this drawing data remain ours; they may not be made available to third parties without our consent.



Index	Change		Date	Name
 DIN ISO 128-30	Description:			
	FR/1766x866x63/Rohrlaser			
Surface:		Material:		Weight: 12.94 kg
PÖTTKER Transforming furniture	Name	Date	Raw material No:	
	Signed	J.Kußmann	14.02.2023	Company
General tolerance: DIN ISO 2768 - mK	Tested			
	Item No: 2023-018-200		Scale 1:20	Page 1 / 3

All property rights and rights to exploitation of copyright for this drawing data remain ours; they may not be made available to third parties without our consent.



Index	Change		Date	Name
 DIN ISO 128-30	Description:			
	FR/1766x866x63/Rohrlaser			
Surface:		Material:		Weight: 12.94 kg
PÖTTKER Transforming furniture	Name	Date	Raw material No:	
	Signed	J.Kußmann	14.02.2023	Company
General tolerance: DIN ISO 2768 - mK	Tested			
	Item No: 2023-018-200			Scale 1:20 Page 2 / 3 A3