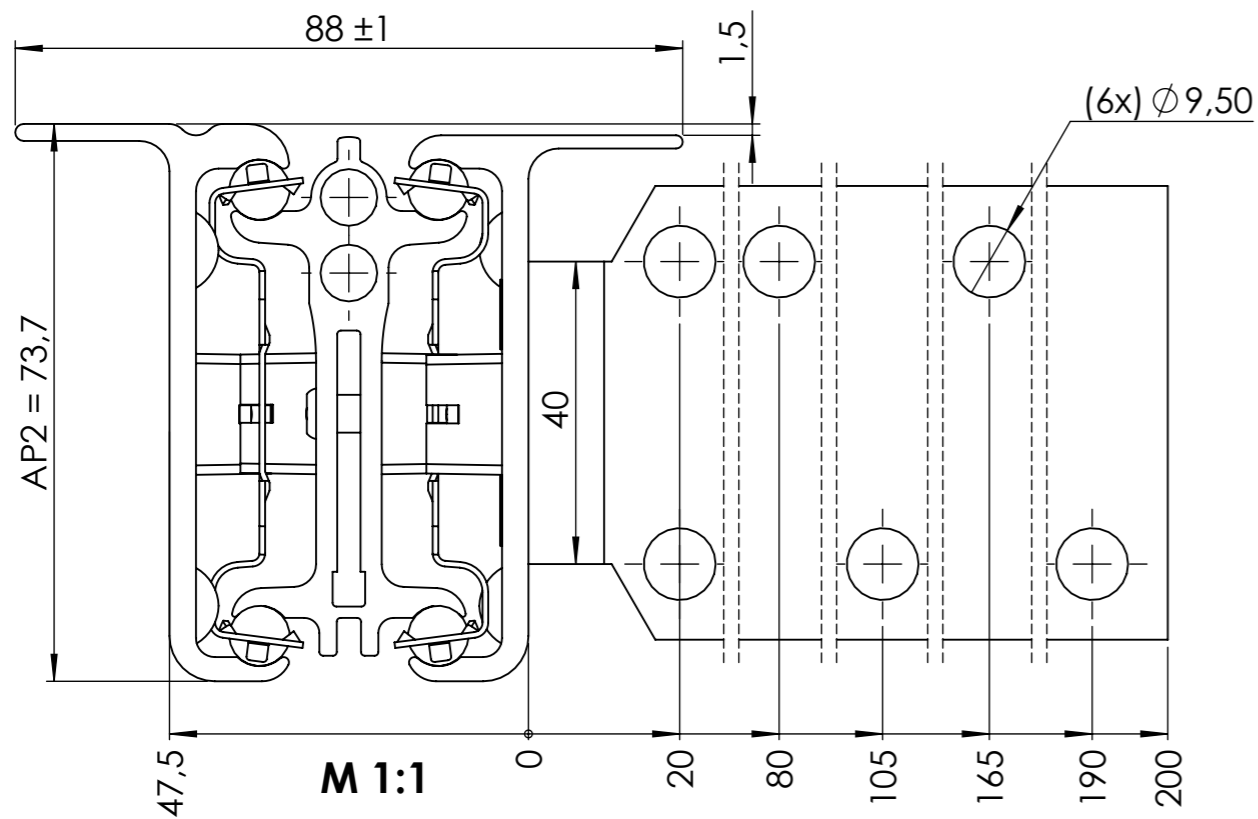
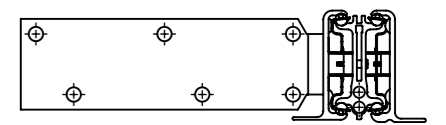
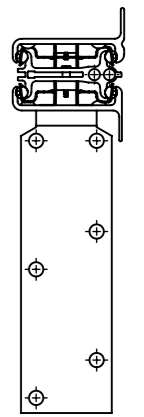
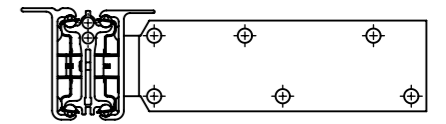
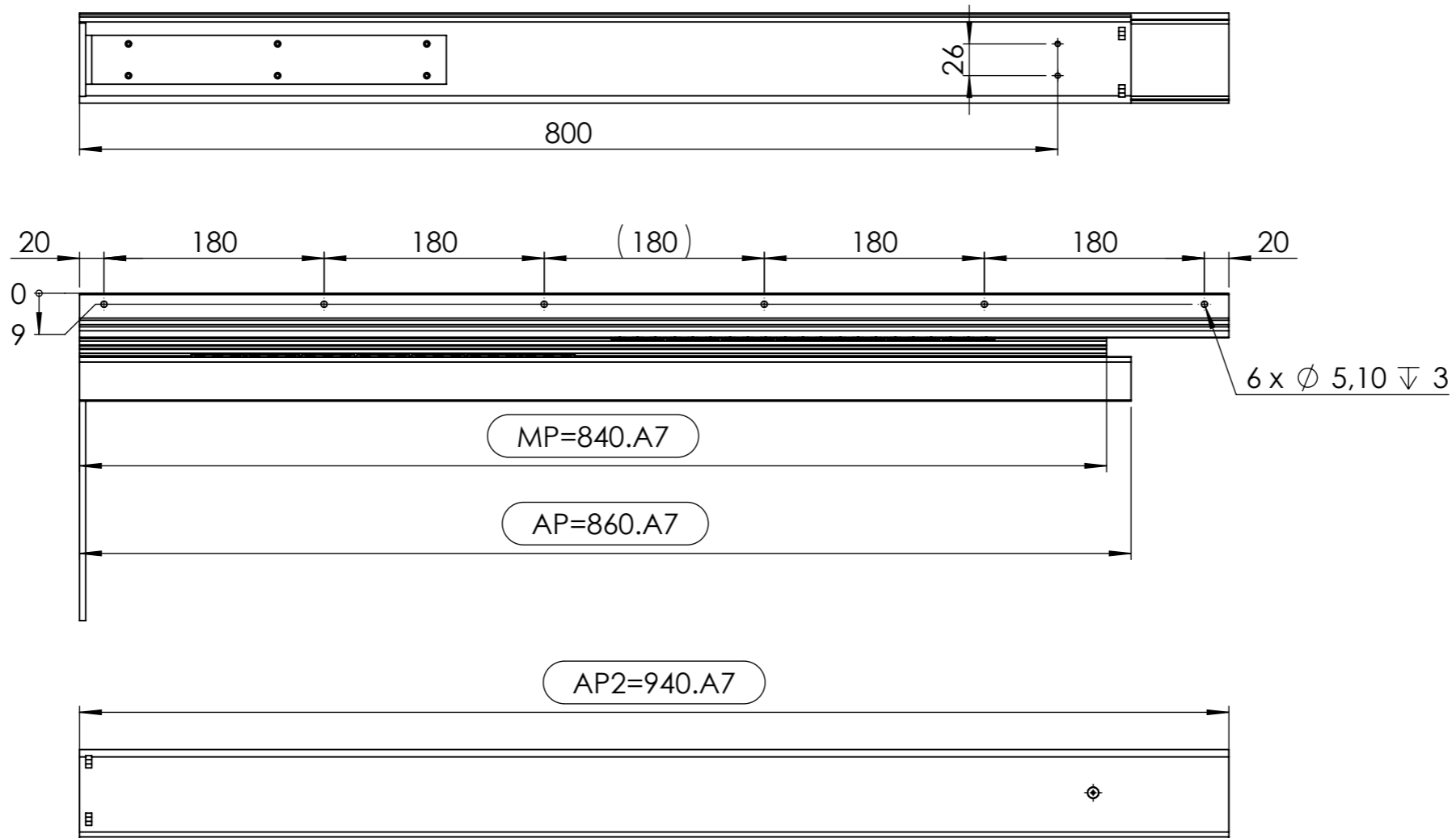
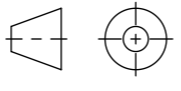


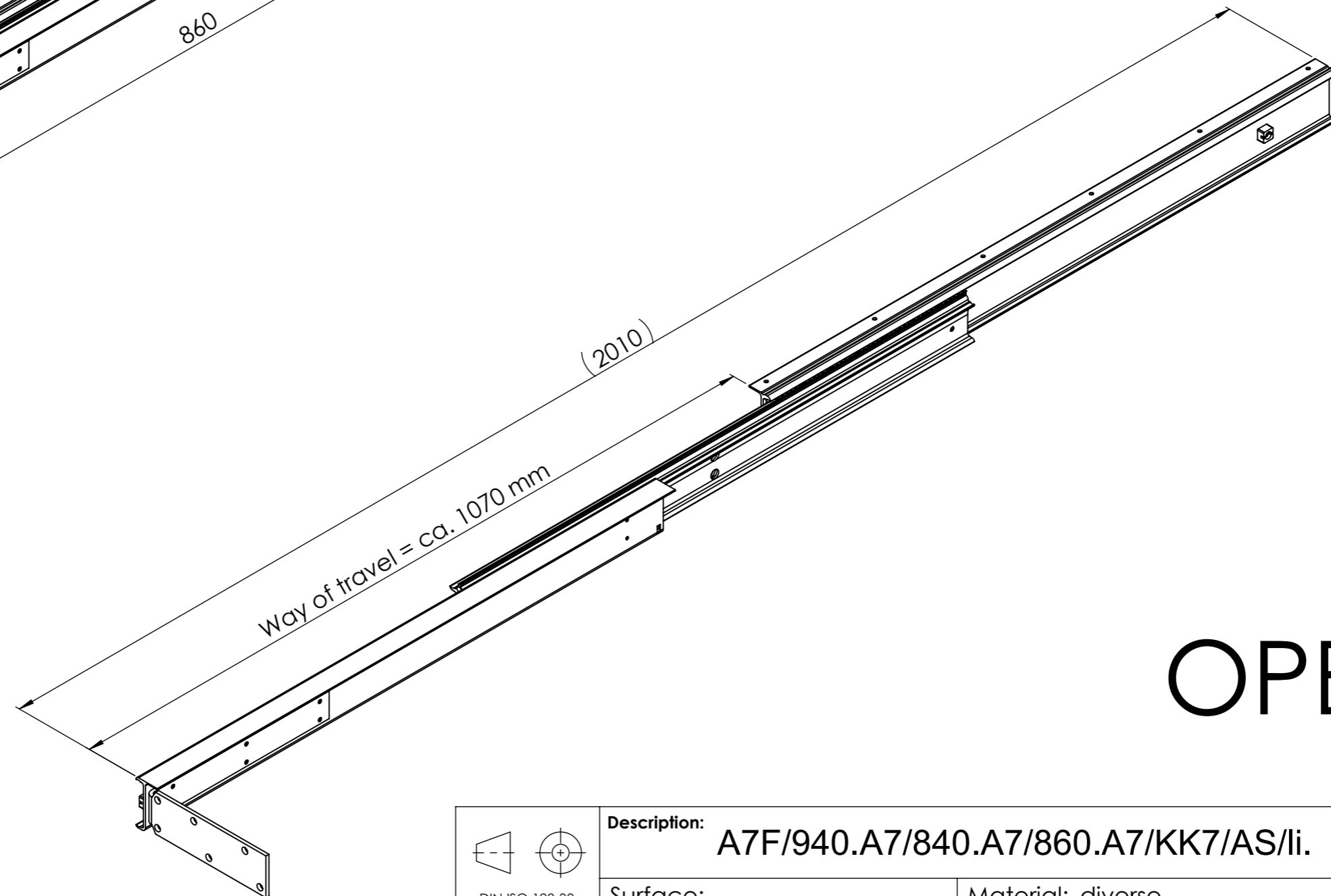
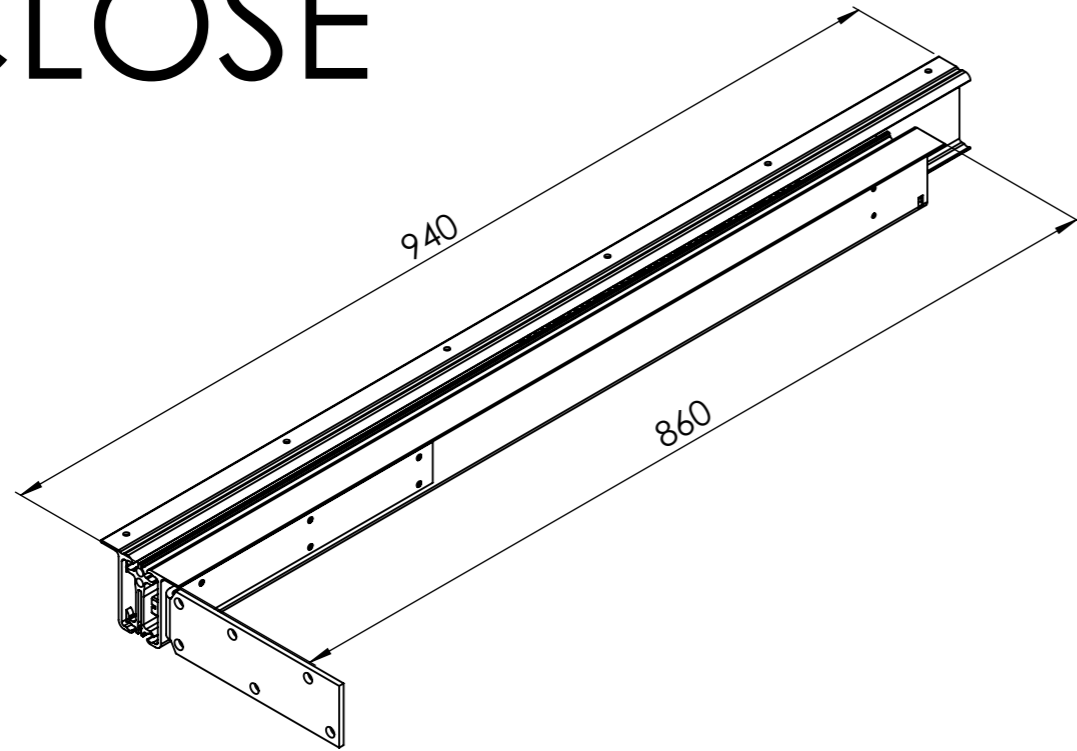
All property rights and rights to exploitation of copyright for this drawing data remain ours; they may not be made available to third parties without our consent.



way of travel : ca. 1070mm

Index	Change			Date	Name
 DIN ISO 128-30	Description: A7F/940.A7/840.A7/860.A7/KK7/AS/li.				
	Surface:		Material: diverse		Weight: 4.38 kg
PÖTTKER Transforming furniture	Name	Date	Company		
	Signed	Woracek	17.03.2019		
	Tested	A.Wewior	25.03.2019	Second Company:	
General tolerance: DIN ISO 2768 - m		Item No:	77094809	Scale 1:5	Page 1/6

CLOSE

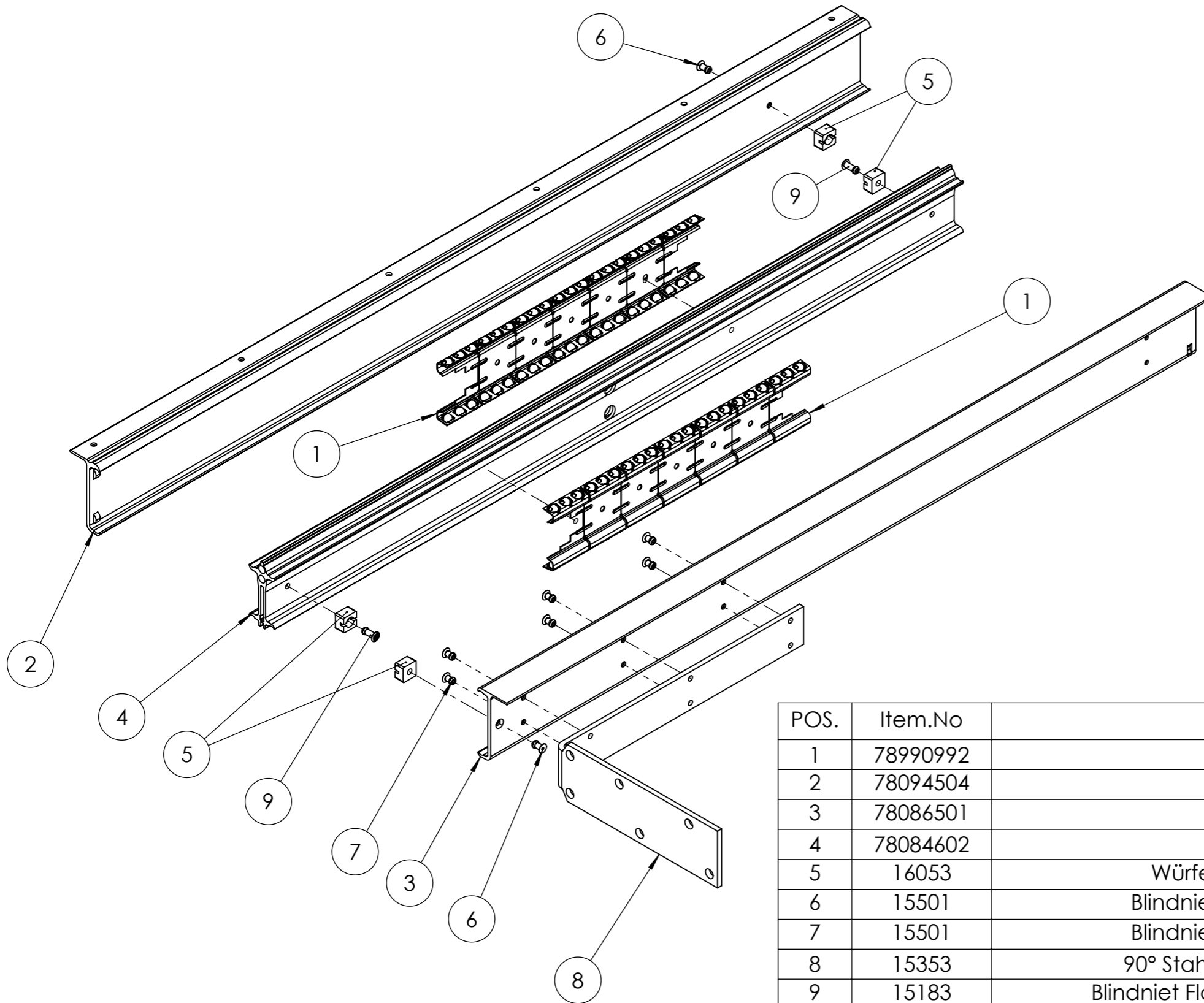


OPEN

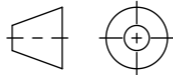

<p>DIN ISO 128-30</p>	Description: A7F/940.A7/840.A7/860.A7/KK7/AS/li.				
	Surface:		Material: diverse		Weight: 4.38 kg
PÖTTKER Transforming furniture	Signed	Name Woracek	Date 17.03.2019	Company	
	Tested	A.Wewior	25.03.2019	Second Company:	
General tolerance: DIN ISO 2768 - m		Item No: 77094809	Scale 1:6	Page 2/6	A3

All property rights and rights to exploitation of copyright for this drawing data remain ours; they may not be made available to third parties without our consent.

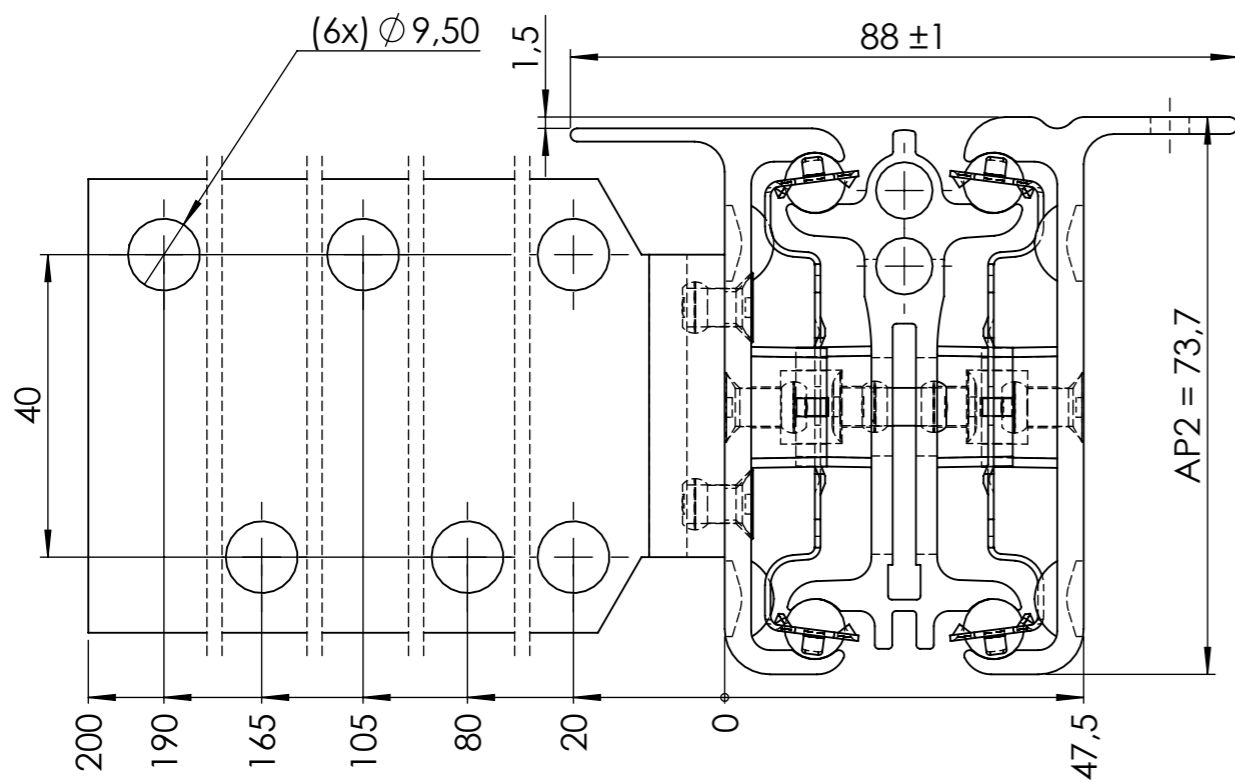
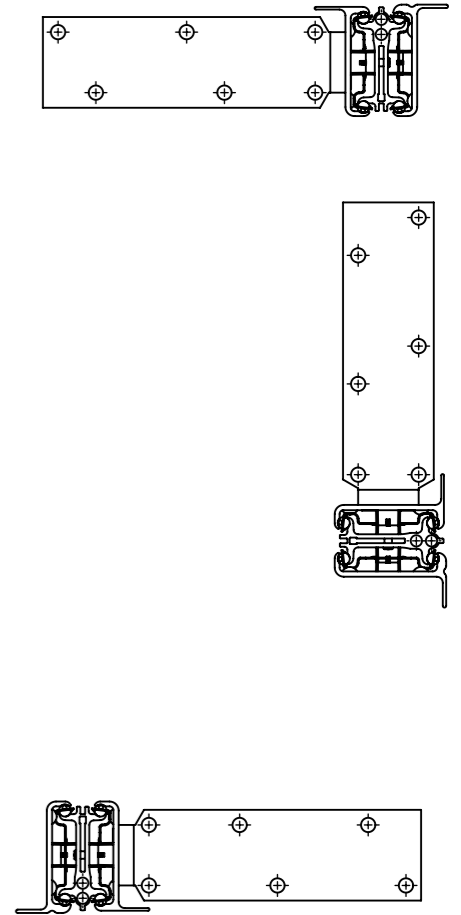
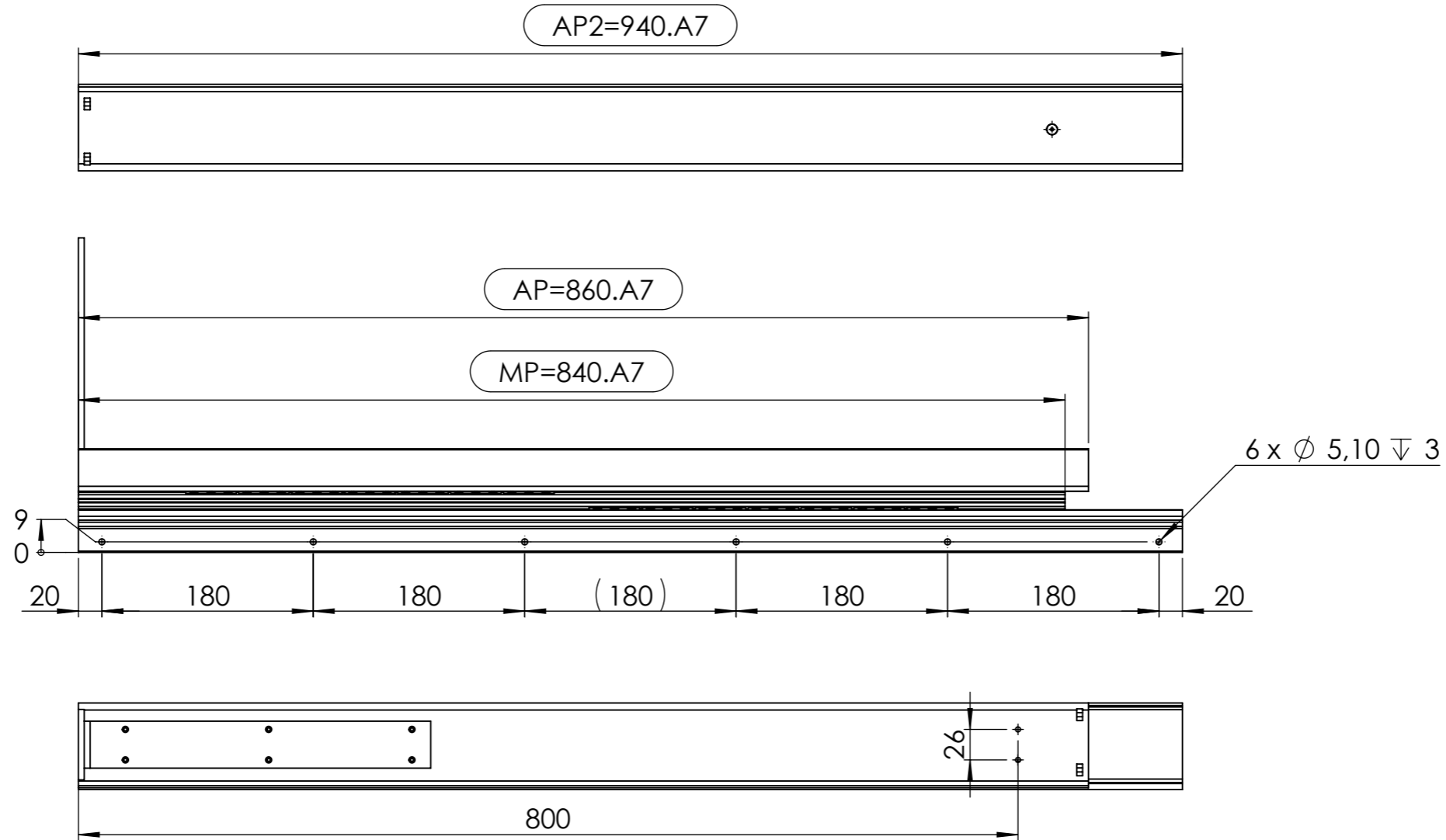
All property rights and rights to exploitation of copyright for this drawing data remain ours; they may not be made available to third parties without our consent.



POS.	Item.No	Artikelbezeichnung	Menge
1	78990992	KK77_7_AS_Al-Al_Elox	2
2	78094504	AP2/A7F/940.A7/Typ01/li.	1
3	78086501	AP/A7F/860.A7/Typ01/li.	1
4	78084602	MP/A7F/840.A7	1
5	16053	Wüfelstopp, 16x10x16/PA6.6-Plustek	4
6	15501	Blindniet Senkkopf, Ø5x12-AL/St.(6,0-8,0)	2
7	15501	Blindniet Senkkopf, Ø5x12-AL/St.(6,0-8,0)	6
8	15353	90° Stahl-Frontverbinder/300x5x40x60x200	1
9	15183	Blindniet Flachrundkopf, Ø5x18-AL/St.(12,0-14,0)	2

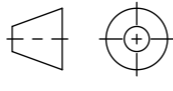
Index	Change		Date	Name	
 DIN ISO 128-30	Description: A7F/940.A7/840.A7/860.A7/KK7/AS/li.				
	Surface:		Material: diverse	Weight: 4.38 kg	
 Transforming furniture	Name	Date	Company		
	Signed	Woracek	17.03.2019	Second Company:	
Tested	A.Wewior	25.03.2019			
General tolerance: DIN ISO 2768 - m		Item No: 77094809	Scale 1:4	Page 3/6	A3

All property rights and rights to exploitation of copyright for this drawing data remain ours; they may not be made available to third parties without our consent.

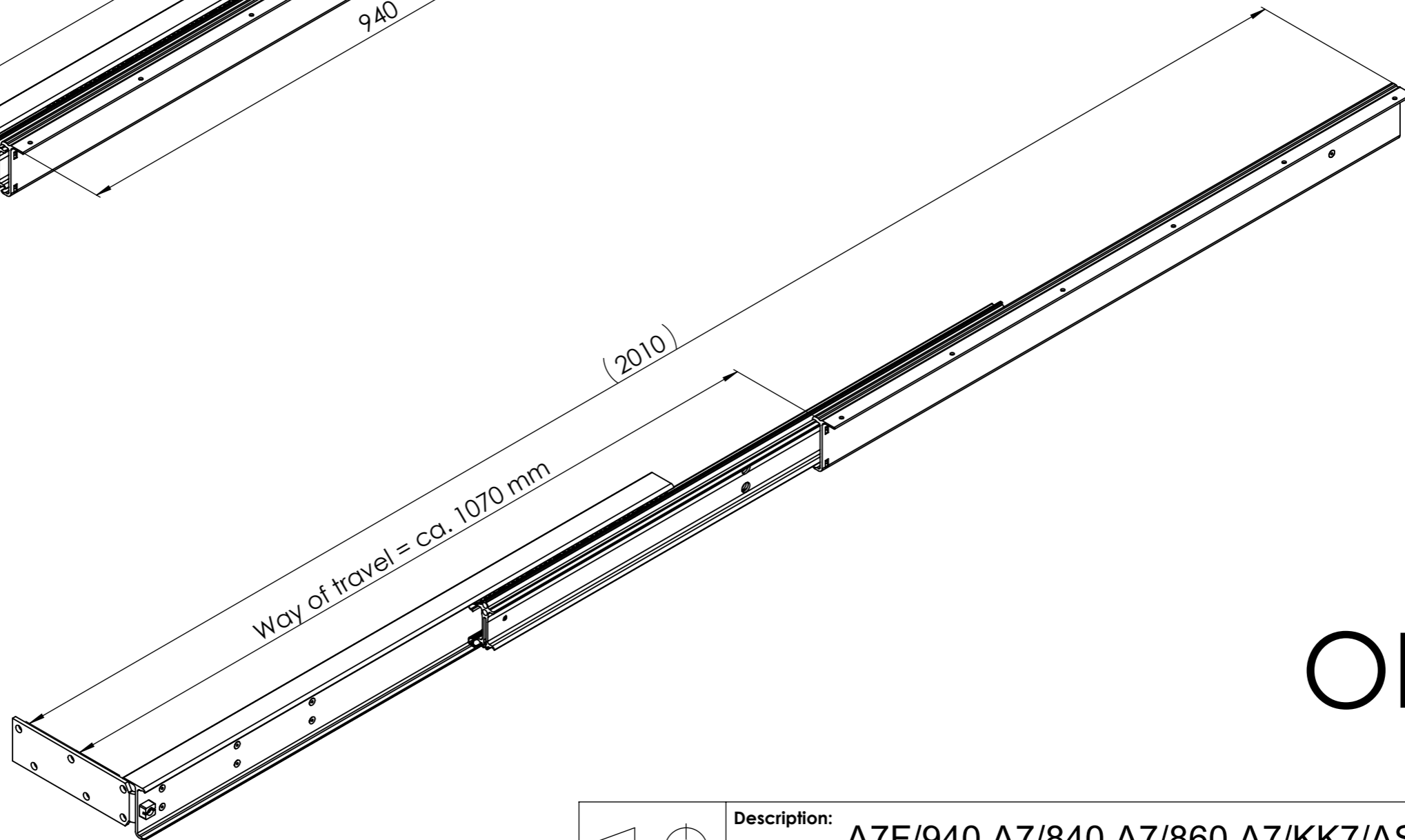
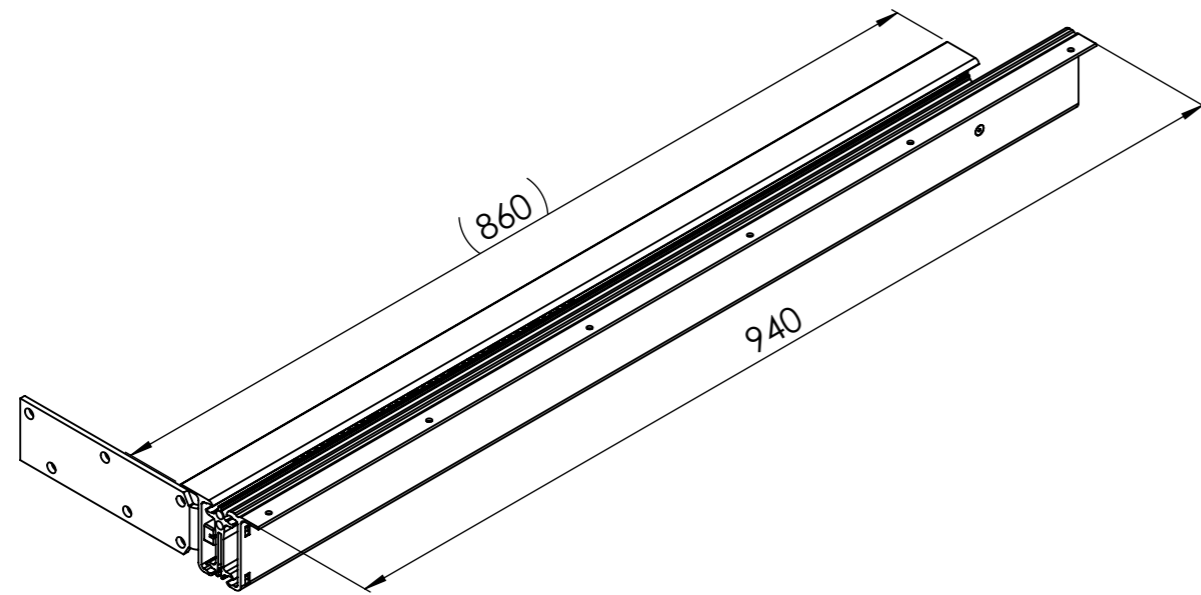


M 1:1

way of travel : ca. **1070**mm

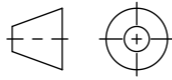
Index	Change			Date	Name
 DIN ISO 128-30	Description: A7F/940.A7/840.A7/860.A7/KK7/AS/re.				
	Surface:			Material: diverse	Weight: 4.38 kg
PÖTTKER Transforming furniture	Name	Date	Company		
	Signed	Woracek	17.03.2019		
	Tested	A.Wewior	25.03.2019	Second Company:	
General tolerance: DIN ISO 2768 - m		Item No:	77094809	Scale 1:5	Page 4/6

CLOSE



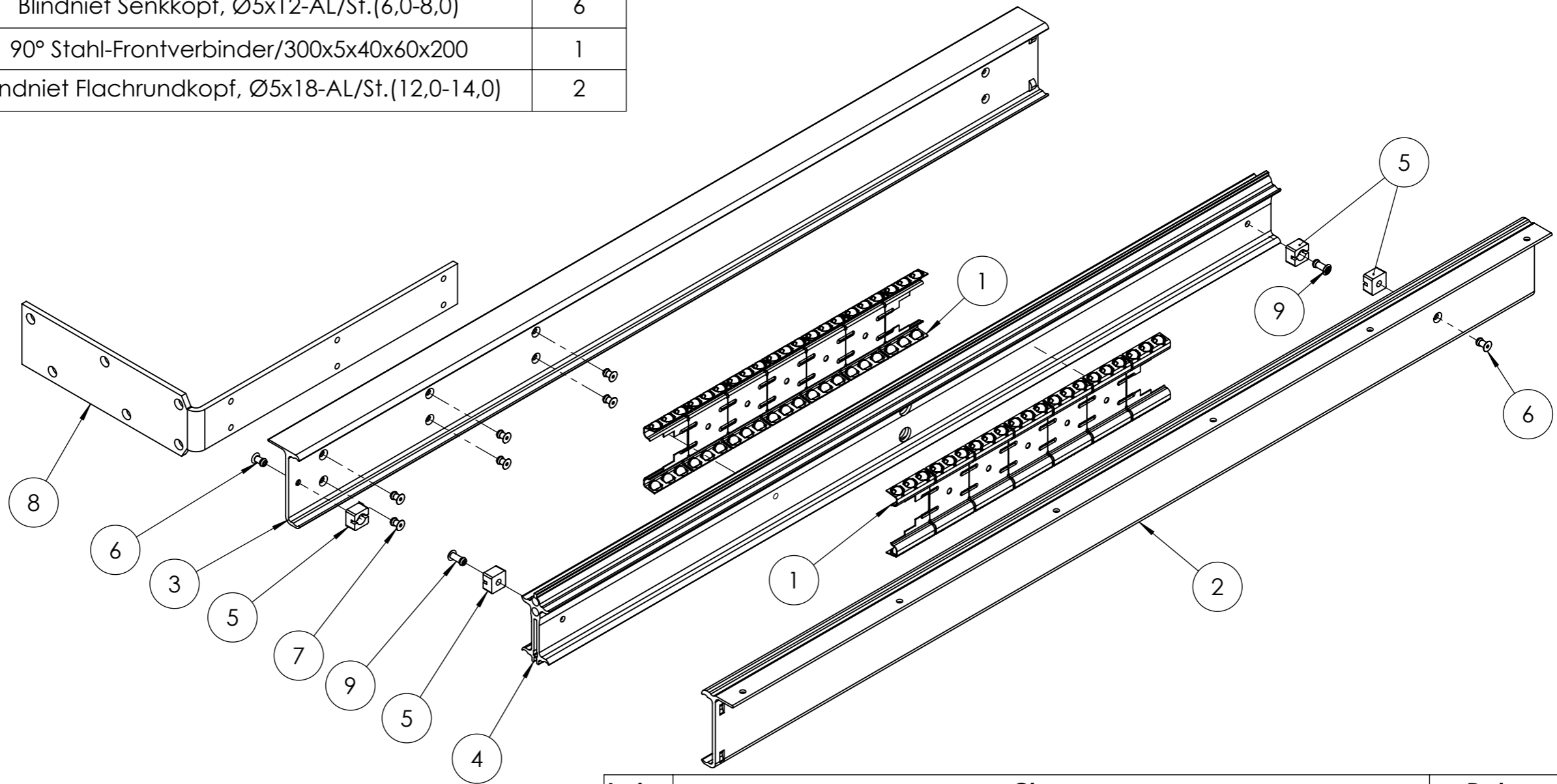
OPEN

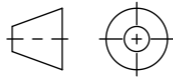

All property rights and rights to exploitation of copyright for this drawing data remain ours; they may not be made available to third parties without our consent.

 DIN ISO 128-30	Description: A7F/940.A7/840.A7/860.A7/KK7/AS/re.					
	Surface:		Material: diverse		Weight: 4.38 kg	
PÖTTKER Transforming furniture	Name	Date	Company			
	Signed	Woracek	17.03.2019	Second Company:		
	Tested	A.Wewior	25.03.2019			
General tolerance: DIN ISO 2768 - m		Item No:	77094809	Scale 1:6	Page 5/6	A3

All property rights and rights to exploitation of copyright for this drawing data remain ours; they may not be made available to third parties without our consent.

POS.	Item.No	Artikelbezeichnung	Menge
1	78990992	KK77_7_AS_AI-Al_Elox	2
2	78094505	AP2/A7F/940.A7/Typ01/re.	1
3	78086502	AP/A7F/860.A7/Typ01/re.	1
4	78084602	MP/A7F/840.A7	1
5	16053	Würfelstopp, 16x10x16/PA6.6-Plustek	4
6	15501	Blindniet Senkkopf, Ø5x12-AL/St.(6,0-8,0)	2
7	15501	Blindniet Senkkopf, Ø5x12-AL/St.(6,0-8,0)	6
8	15353	90° Stahl-Frontverbinder/300x5x40x60x200	1
9	15183	Blindniet Flachrundkopf, Ø5x18-AL/St.(12,0-14,0)	2



Index	Change		Date	Name
 DIN ISO 128-30	Description: A7F/940.A7/840.A7/860.A7/KK7/AS/re.			
	Surface:		Material: diverse	Weight: 4.38 kg
 Transforming furniture	Name	Date	Company	
	Signed	Woracek	17.03.2019	Second Company:
	Tested	A.Wewior	25.03.2019	
General tolerance: DIN ISO 2768 - m		Item No: 77094809	Scale 1:4	Page 6/6