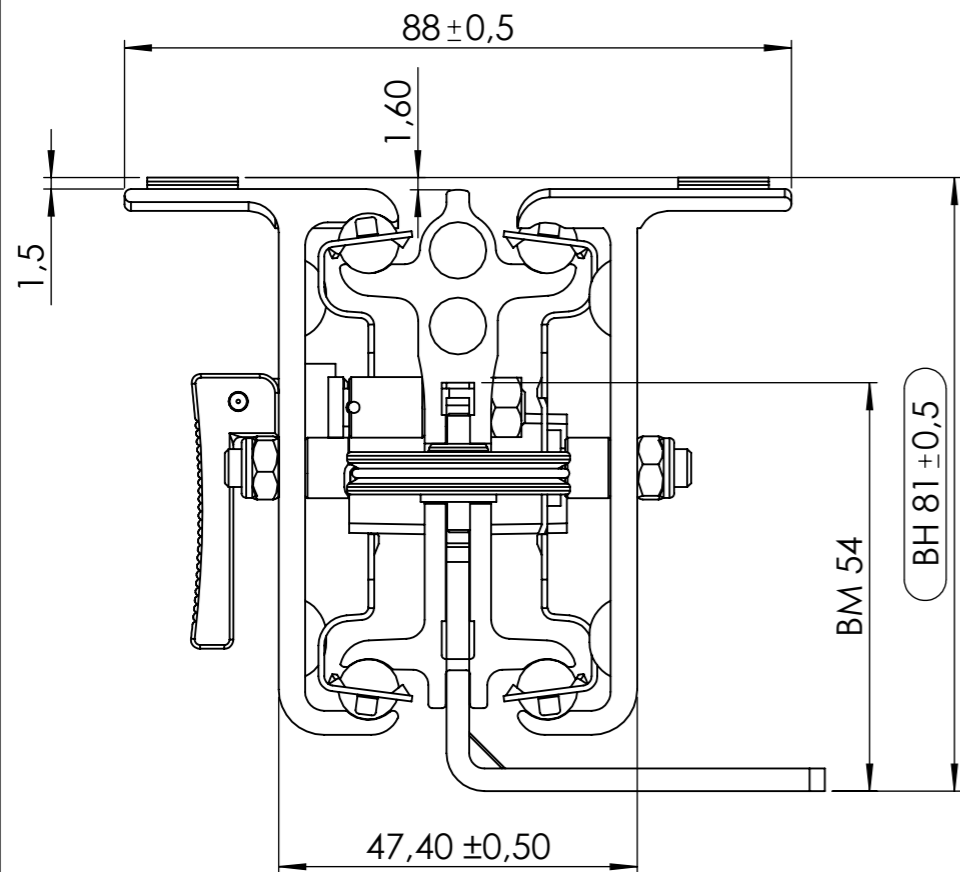
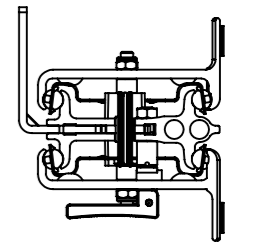
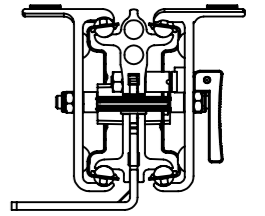
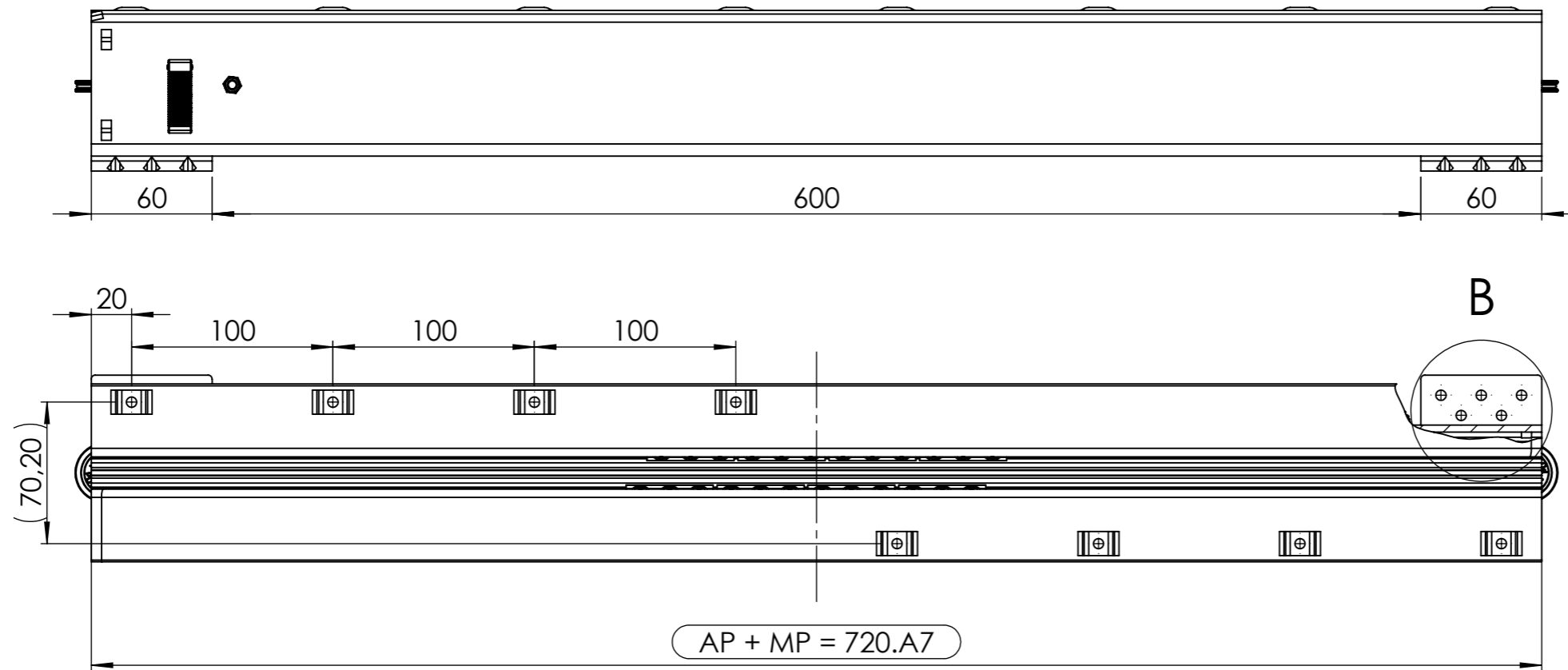
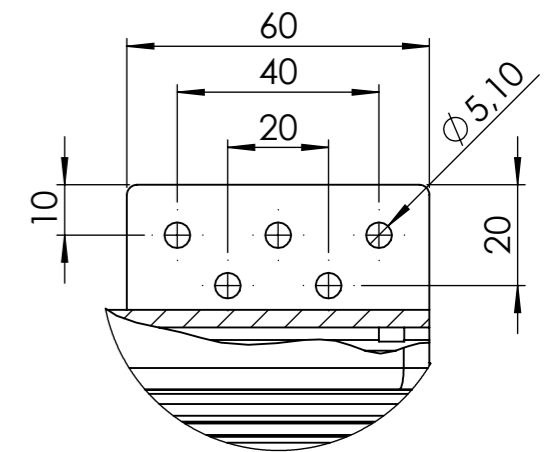


All property rights and rights to exploitation of copyright for this drawing data remain ours; they may not be made available to third parties without our consent.

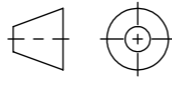



M 1:1

way of travel: ca. 1074 mm

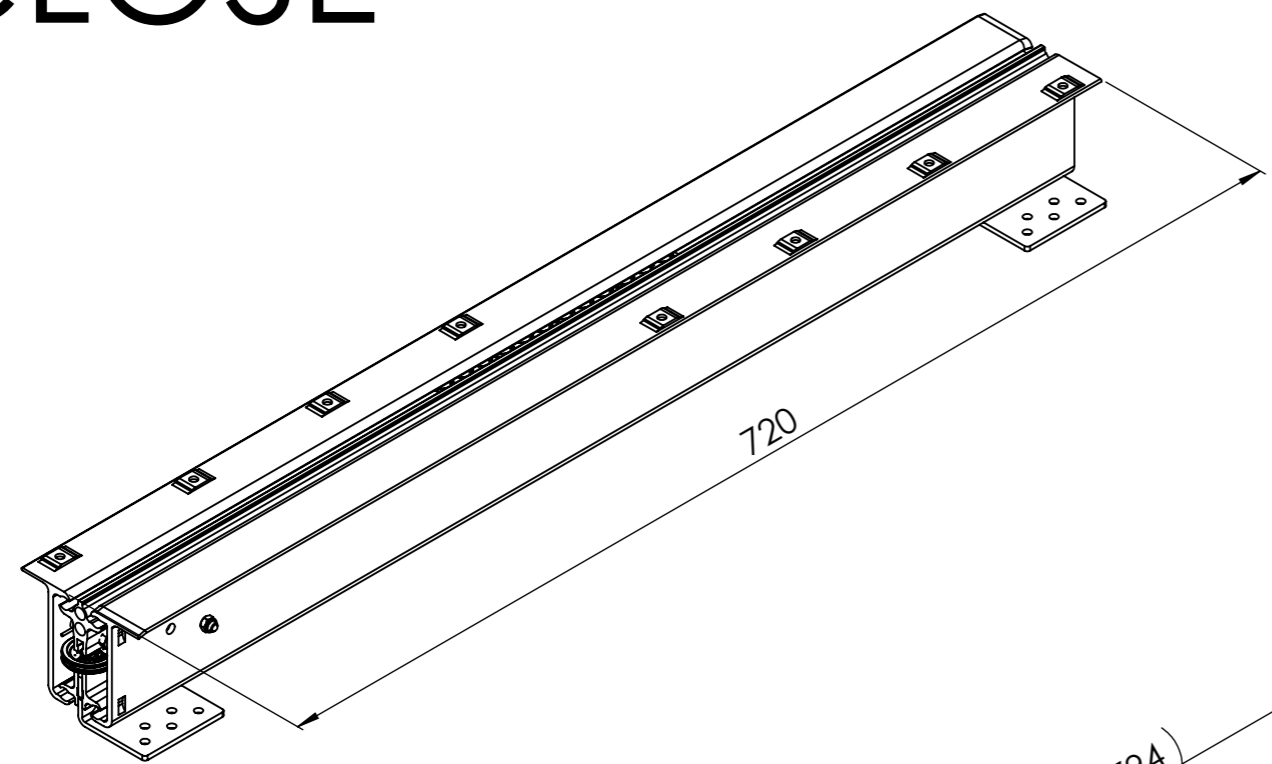


DETAIL B
MAßSTAB 2 : 3

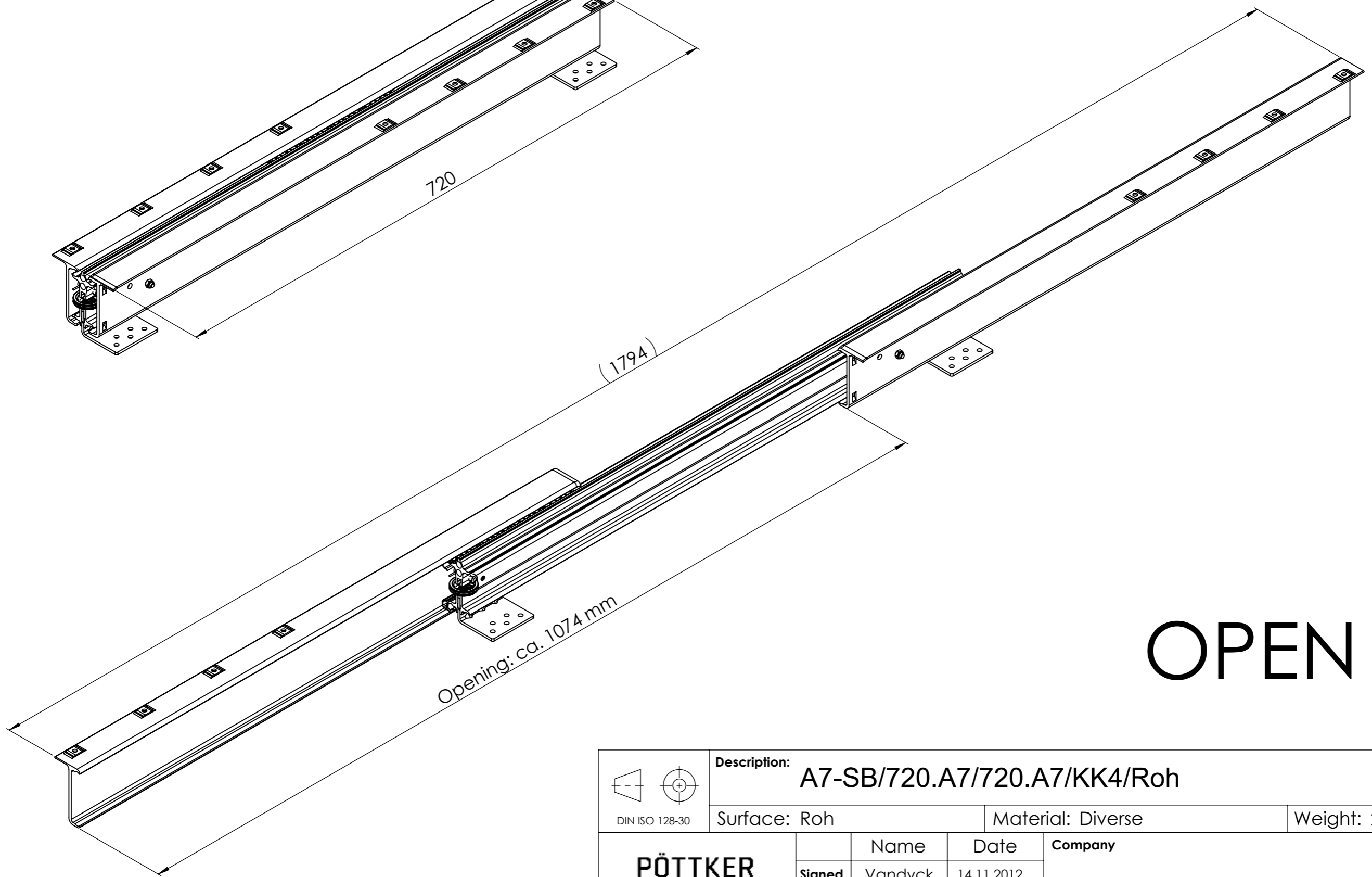
Index	Change			Date	Name
 DIN ISO 128-30	Description: A7-SB/720.A7/720.A7/KK4/Roh				
	Surface: Roh		Material: Diverse		Weight: 2.99 kg
 Transforming furniture	Name	Date	Company		
	Signed	Vandyck	14.11.2012	Second Company:	
General tolerance: DIN ISO 2768 - m		Item No:	77072708	Scale 1:3	Page 1/4
					A3

All property rights and rights to exploitation of copyright for this drawing data remain ours; they may not be made available to third parties without our consent.

CLOSE

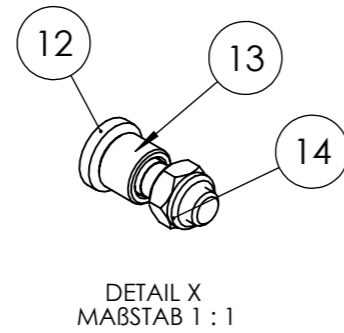
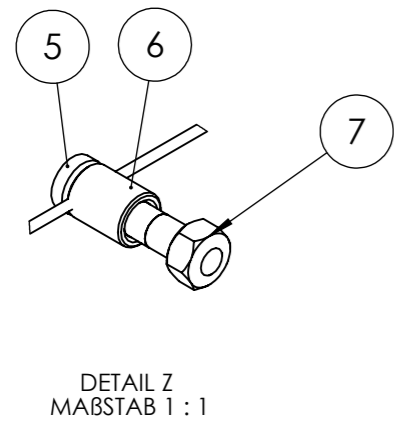
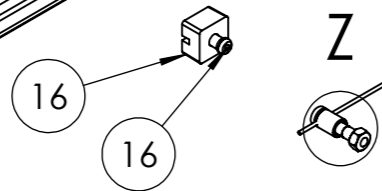
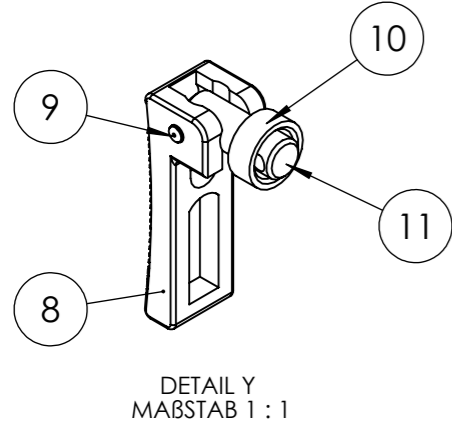
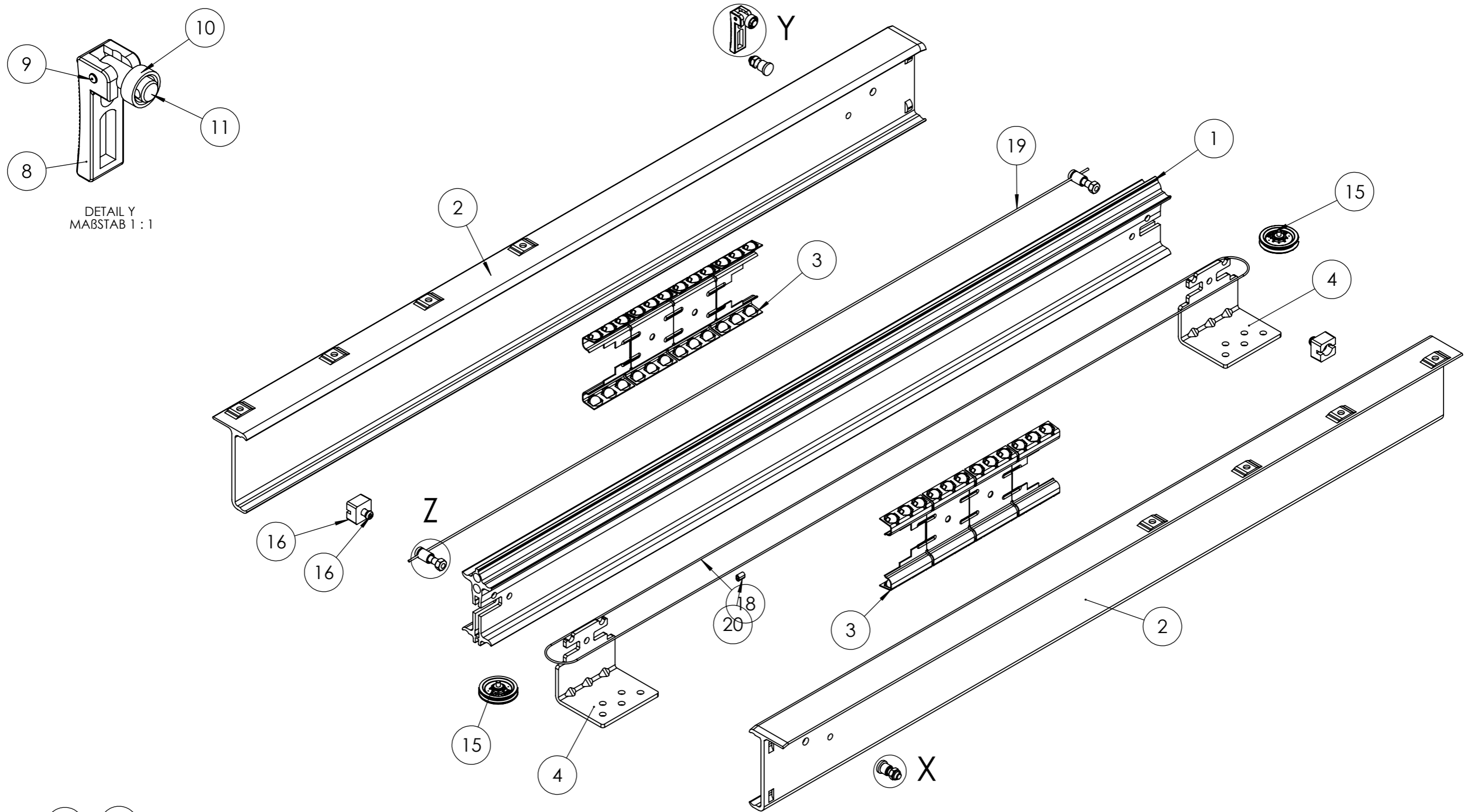


OPEN



 DIN ISO 128-30	Description: A7-SB/720.A7/720.A7/KK4/Roh				
	Surface: Roh		Material: Diverse		Weight: 2.99 kg
 Transforming furniture	Signed	Name Vandyck	Date 14.11.2012	Company	
	Tested			Second Company:	
	General tolerance: DIN ISO 2768 - m		Item No: 77072708	Scale 1:4	Page 2/4

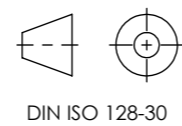
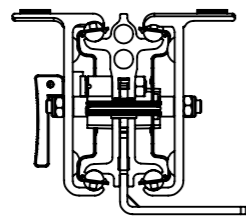
All property rights and rights to exploitation of copyright for this drawing data remain ours; they may not be made available to third parties without our consent.



 DIN ISO 128-30	Description: A7-SB/720.A7/720.A7/KK4/Roh			Weight: 2.99 kg	
	Surface: Roh		Material: Diverse		
 Transforming furniture	Name	Date	Company		
	Signed	Vandyck	14.11.2012	Second Company:	
	Tested				
General tolerance: DIN ISO 2768 - m		Item No: 77072708	Scale 1:3	Page 3/4	A3

All property rights and rights to exploitation of copyright for this drawing data remain ours; they may not be made available to third parties without our consent.

POS.	Item.No	Artikelbezeichnung	Menge
1	78072611	MP-A7-S/720.A7/Roh	1
2	78072603	AP-A7-S/720.A7/Typ01/4x1,5/Roh	2
3	78990386	KK77_4_AS_AI-AI_Roh	2
4	22005501	Fußwinkel, 54x50-STANDARD	2
5	14027	E058, Spannschraube M5xØ8x26	2
6	14034	E070/1, Distanzhülse Ø8xØ5,2x10	2
7	15334	Sechskantmutter, M5-DIN 934-vz	2
8	15004	Kunststoffbremshebel, 36,5x11,5x11,5-PA 6 GF 30	1
9	15005	Knebelkerbstift für Bremshebel, Ø2,5x12-DIN 1475-St.	1
10	14056	E056/2, Bolzen für Bremse Ø6x16,6	1
11	14015	E023, Distanzscheibe Ø10xØ7,3x4	1
12	14068	E065/2, Spannschraube M5xØ10x19	2
13	14020	E042, Distanzhülse Ø8xØ5,5x6	2
14	15021	Sechskantmutter, M5-DIN 985-vz-selbstsichernd	2
15	15106	UBG/Umlenkrolle Ø30	2
16	16053	Würfelstopp, 16x10x16/PA6.6-Plustek	2
17	15183	Blindniet Flachrundkopf, Ø5x18-AL/St.(12,0-14,0)	2
18	15000	Drahtseil Ø1,25x720	1
19	15105	Bremsseil Ø1,5x720	1
20	12001	Alu-Pressklemme/1,5 mm	1



DIN ISO 128-30

Description:		A7-SB/720.A7/720.A7/KK4/Roh		
Surface: Roh		Material: Diverse		Weight: 2.99 kg
 Transforming furniture	Name	Date	Company	
	Signed	Vandyck	14.11.2012	
	Tested		Second Company:	
General tolerance: DIN ISO 2768 - m		Item No:	77072708	Scale 1:3
		Page	4/4	A3