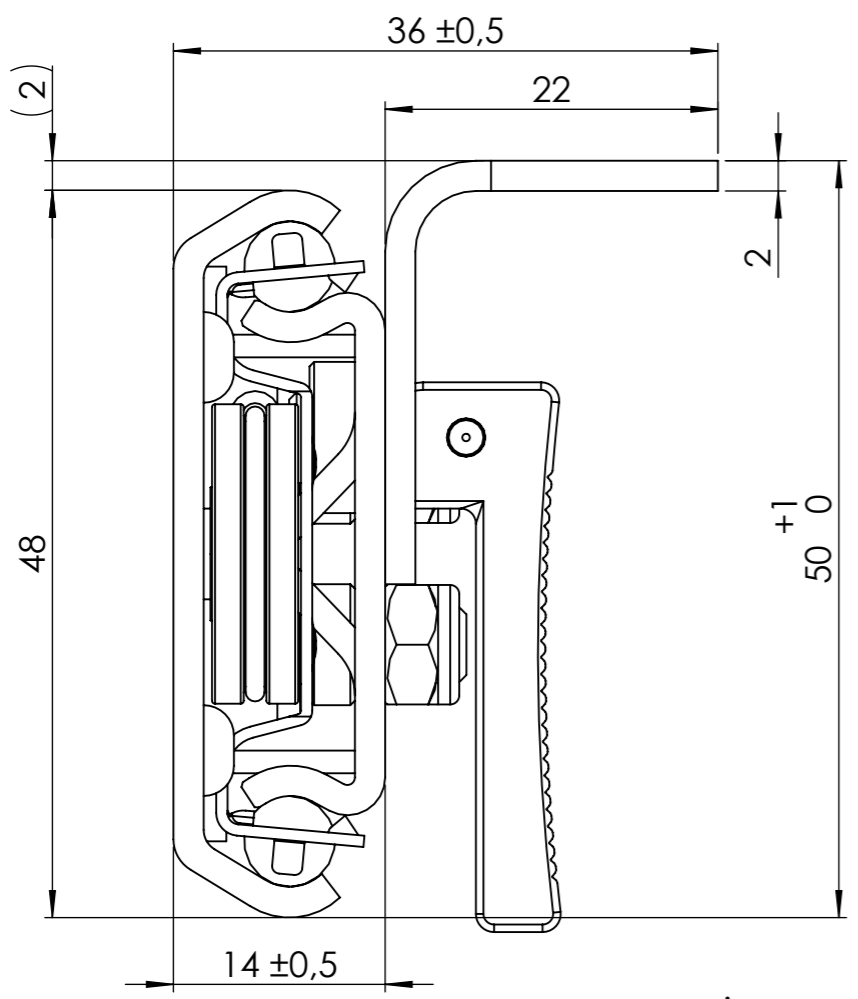
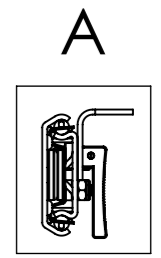
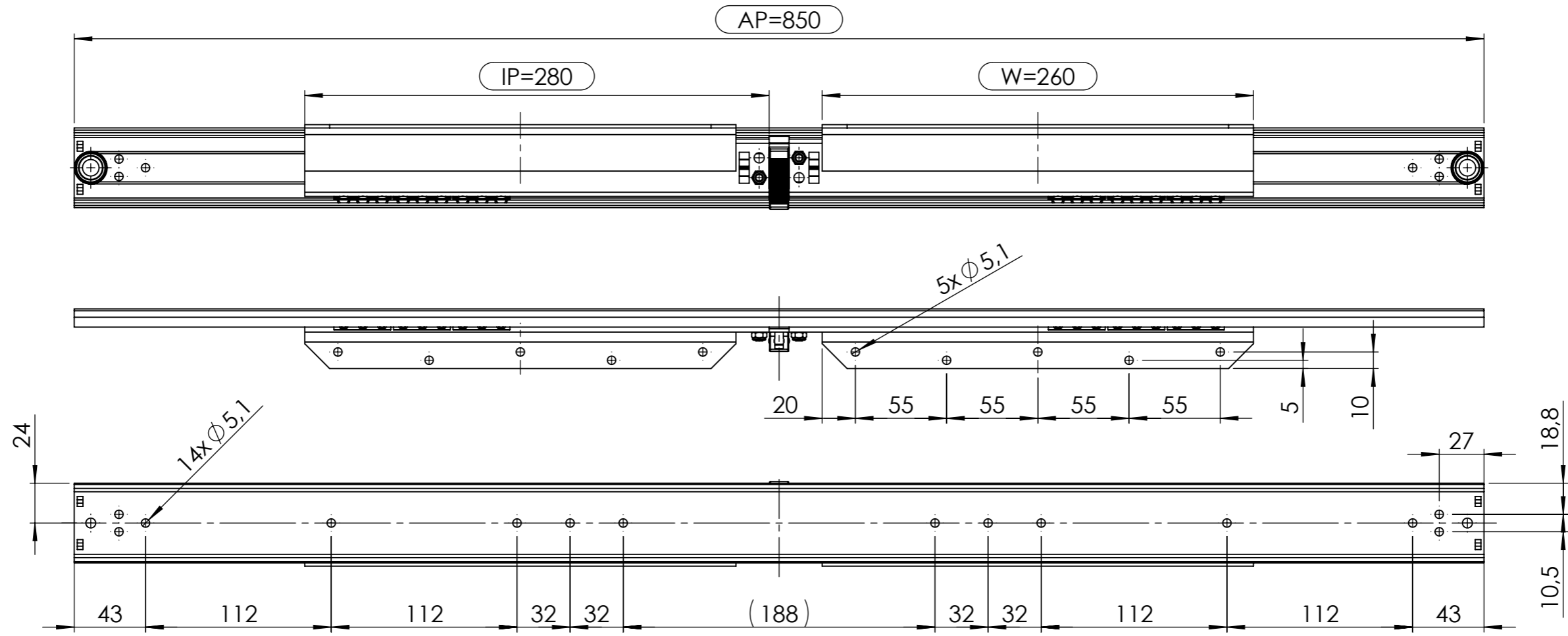
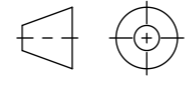



All property rights and rights to exploitation of copyright for this drawing data remain ours; they may not be made available to third parties without our consent.



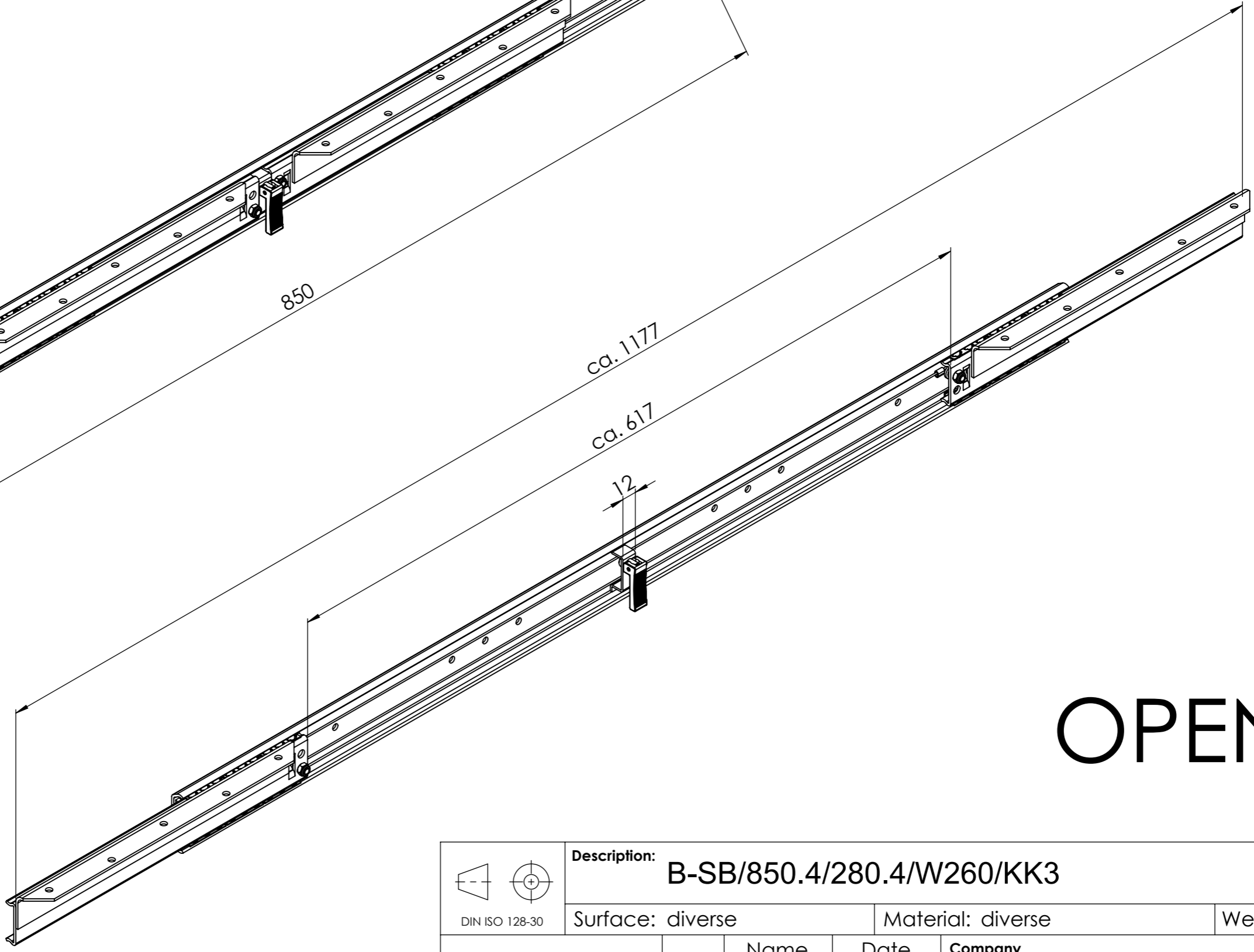
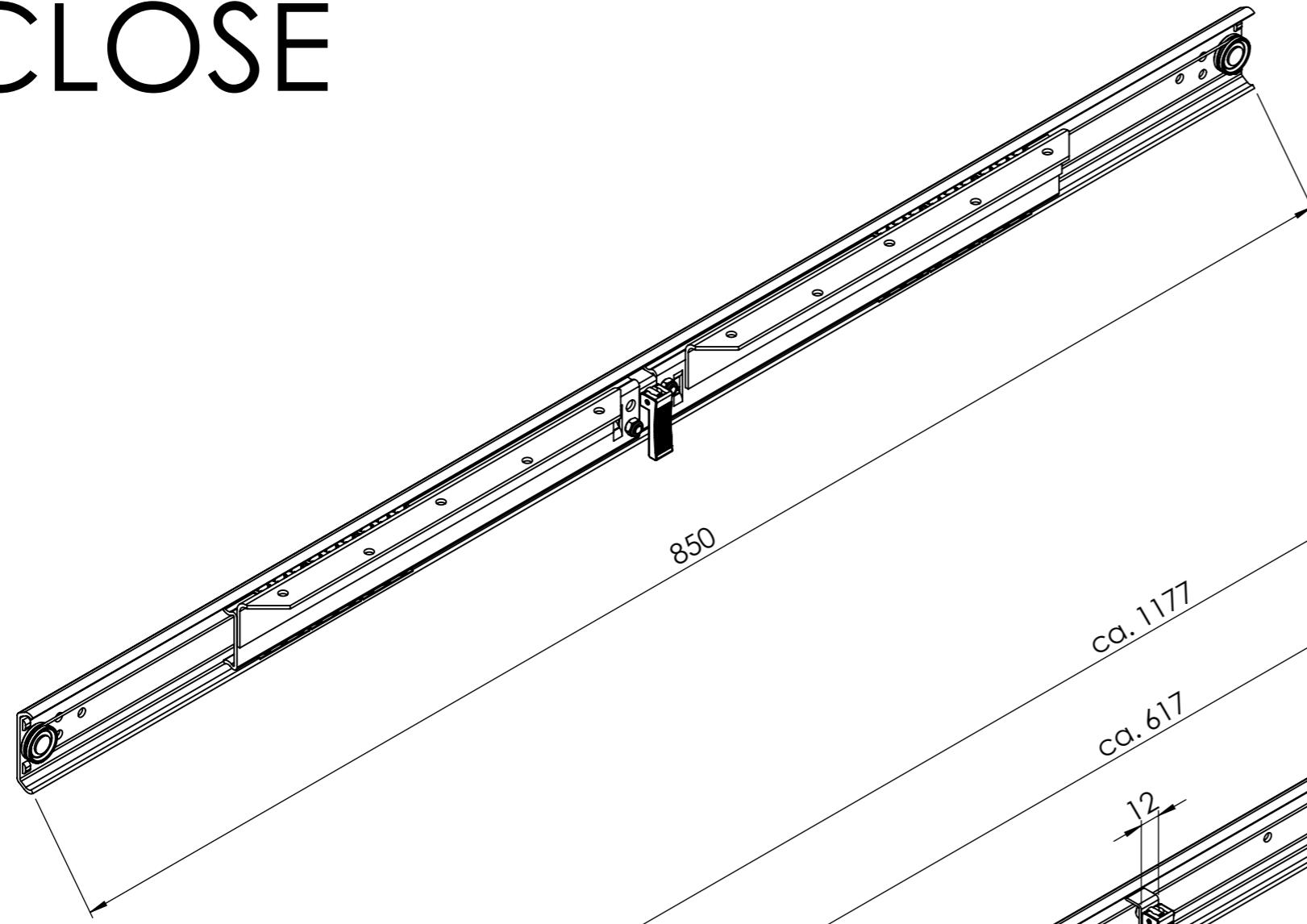
DETAIL A 2 : 1

opening : ca. 605 mm

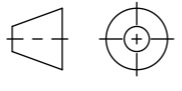
Index	Change		Date	Name
 DIN ISO 128-30	Description: <b>B-SB/850.4/280.4/W260/KK3</b>			
	Surface: diverse		Material: diverse	
 Transforming furniture		Name	Date	Company
		Signed	Vaquero	25.09.12
		Tested	J. Vaquero	25.11.2016
General tolerance: DIN ISO 2768 - m		Item No:	<b>47085103</b>	Scale 1:3
			Page 1/3	<b>A3</b>

All property rights and rights to exploitation of copyright for this drawing data remain ours; they may not be made available to third parties without our consent.

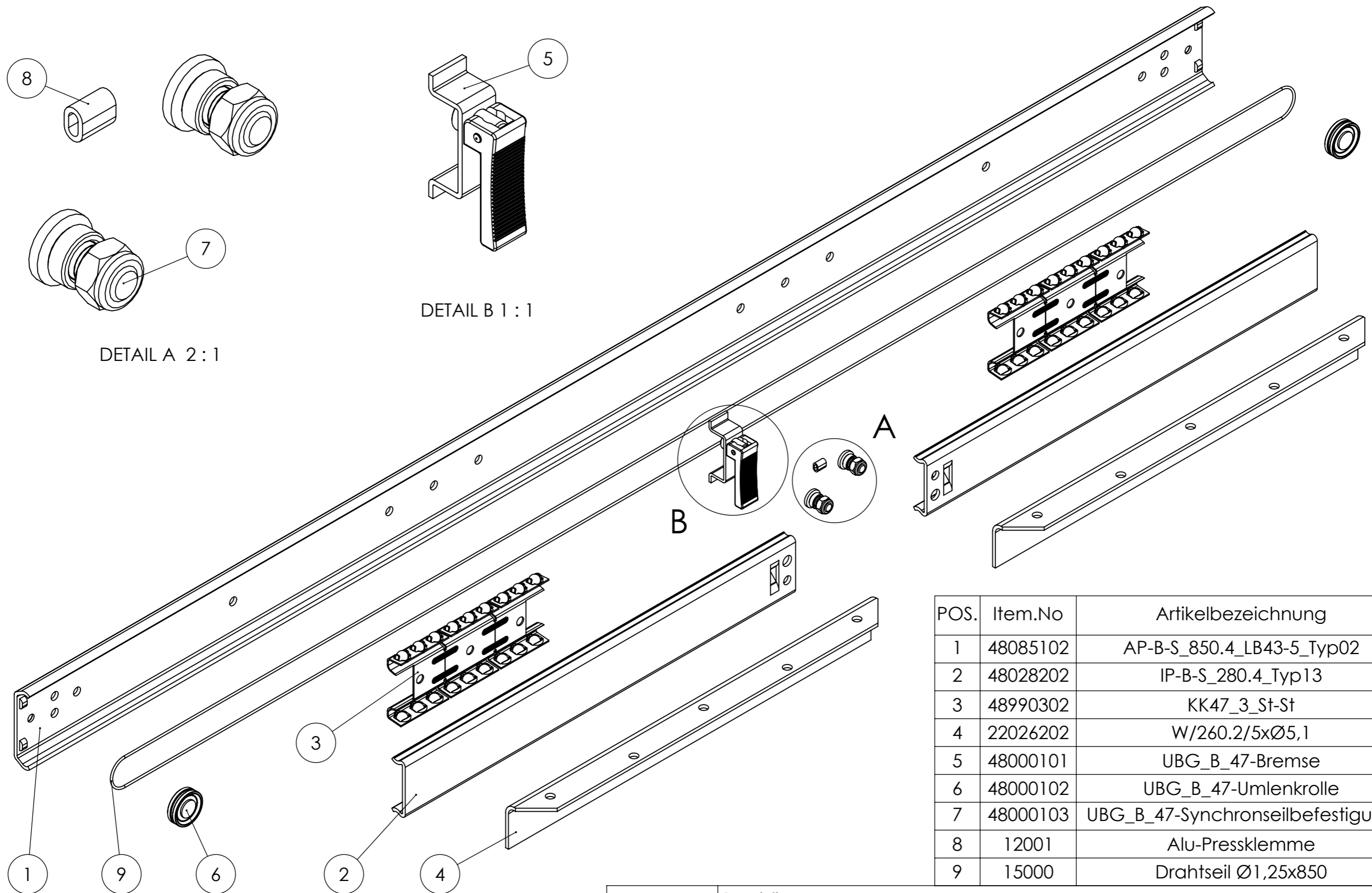
# CLOSE



# OPEN

 DIN ISO 128-30	<b>Description:</b> B-SB/850.4/280.4/W260/KK3				
	Surface: diverse		Material: diverse		Weight: 1.73 kg
<b>PÖTTKER</b> Transforming furniture	<b>Name</b>	<b>Date</b>	<b>Company</b>		
	<b>Signed</b> Vaquero	25.09.12	Second Company:		
	<b>Tested</b> J. Vaquero	25.11.2016	Second Company:		
General tolerance: DIN ISO 2768 - m		Item No: <b>47085103</b>	Scale 1:3	Page 2/3	<b>A3</b>

All property rights and rights to exploitation of copyright for this drawing data remain ours; they may not be made available to third parties without our consent.



POS.	Item.No	Artikelbezeichnung	Menge x2
1	48085102	AP-B-S_850.4_LB43-5_Typ02	1
2	48028202	IP-B-S_280.4_Typ13	2
3	48990302	KK47_3_St-St	2
4	22026202	W/260.2/5xØ5,1	2
5	48000101	UBG_B_47-Bremse	1
6	48000102	UBG_B_47-Umlenkrolle	2
7	48000103	UBG_B_47-Synchronseilbefestigung	2
8	12001	Alu-Pressklemme	1
9	15000	Drahtseil Ø1,25x850	1

 DIN ISO 128-30	Description: <b>B-SB/850.4/280.4/W260/KK3</b>		
	Surface: diverse		Material: diverse
Weight: 1.73 kg			
 Transforming furniture	Name	Date	Company
	Signed	Vaquero	25.09.12
	Tested	J. Vaquero	25.11.2016
Second Company:			
General tolerance: DIN ISO 2768 - m		Item No: <b>47085103</b>	Scale 1:2
Page 3/3		<b>A3</b>	